

PART NUMBER

**KIS177471**

REV.

DATE

COMMENTS

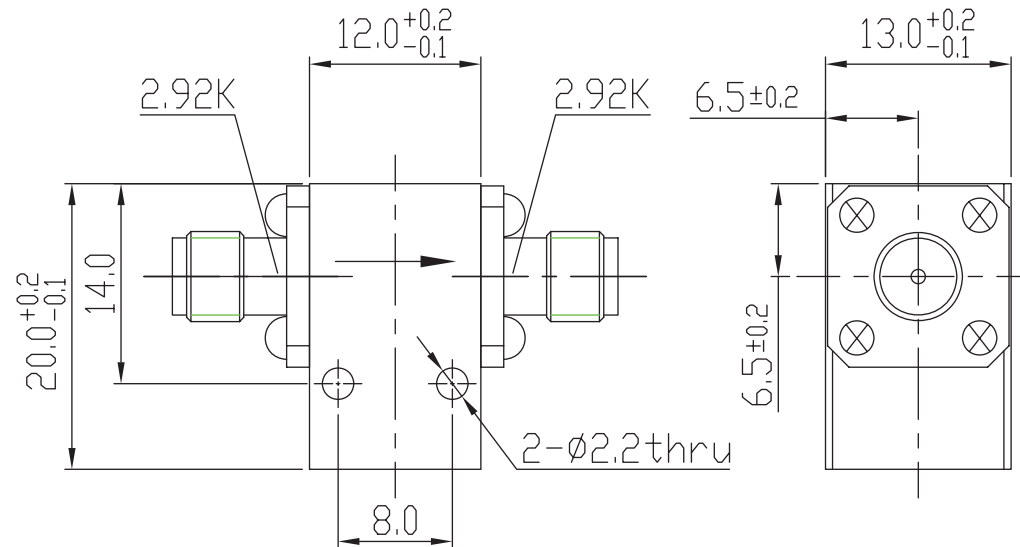
INITIAL

**Electrical Data**

Impedance	50 $\Omega$
Frequency Range	27-31 GHz.
Insertion Loss	1.3 dB
Isolation	13dB
Forward Power	3W Avg
Reverse Power	1 W
VSWR	1.80 max

**RoHS Compliant****Mechanical Data**

Temperature Range: -30 °C - 70 °C



Drawing not to scale. Dimensions for reference only

Units: mm

**Konnect RF**

WWW.KONNECTRF.COM  
1-800-790-5887

PART NUMBER

**KIS177471**

DESCRIPTION

**Isolator, 2.92 Female Jack**

CAGE CODE

**664U0**

SIGNATURE

X

THIS DRAWING INCLUDING THE  
DESIGNS IS THE PROPERTY OF  
KONNECT RF AND IS NOT TO  
BE USED FOR ANY PURPOSE  
WITHOUT OUR APPROVAL.