

PART NUMBER

KIS177454

REV.

DATE

COMMENTS

INITIAL

Electrical Data

Impedance	50Ω
Frequency Range	25 - 28GHz.
Isolation	18dB Min
Insertion Loss	1.50 dB Max
VSWR	1.40 Max
Average Power	1 Watt

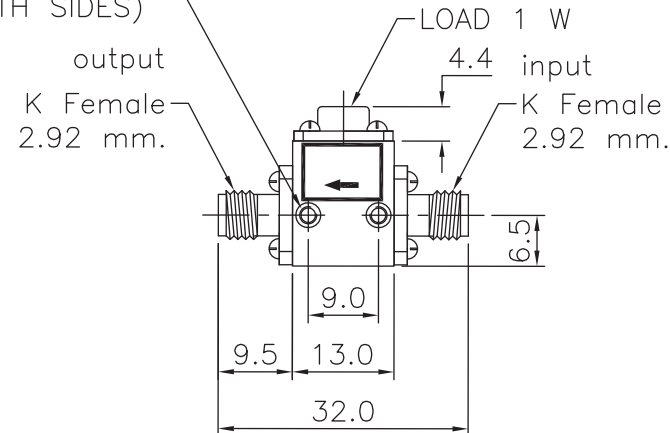
2-56UNC X 3.5 mm.(Min)
(2 PLACES, BOTH SIDES)

Mechanical Data

Temperature Range: 0 °C - 50 °C

Room Temp :	+25±5°C
Isolation dB (Min.) :	20
Insertion Loss dB (Max.) :	1.00
VSWR (Max.) :	1.25

Forward Power : 1 W CW
Reverse Power : 1 W CW
Impedance : 50 Ohms

**RoHS Compliant**

Drawing not to scale. Dimensions for reference only

Units: mm

Konnect RF

WWW.KONNECTRF.COM
1-800-790-5887

PART NUMBER

KIS177454

DESCRIPTION

Isolator, 2.92mm Female Input , 2.92mm Female Output

CAGE CODE

664U0

SIGNATURE

X

Component
Body

Material
Aluminum

Plating
Nickel

THIS DRAWING INCLUDING THE
DESIGNS IS THE PROPERTY OF
KONNECT RF AND IS NOT TO
BE USED FOR ANY PURPOSE
WITHOUT OUR APPROVAL.