

PART NUMBER

KIS177451

REV.

DATE

COMMENTS

INITIAL

Electrical Data

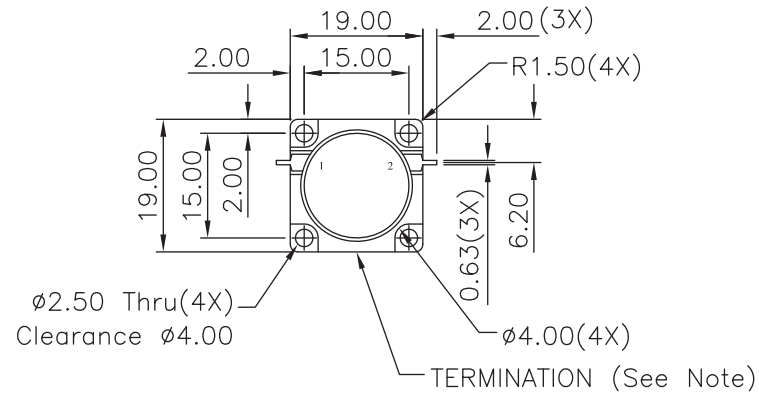
Impedance	50 Ω
Frequency Range	4-8 GHz.
Isolation	17dB min
Insertion Loss	0.60 Max
VSWR	1.33 max

RoHS Compliant**Mechanical Data**

Forward Power	250 W peak , 30 W Average
Reverse Power	20 W
Storage Temperature	-40C° -95C°
Operation Temperature	-40C° -85C°

Note:

Termination 20 W , product must be mounted on a heatsink of sufficient thermal dissipation to a maximum temperature 85C° or Cooling System



Room Temp :	+25 \pm 5°C
Isolation dB (Min.) :	20
Insertion Loss dB (Max.) :	0.55
VSWR (Max.) :	1.25

Drawing not to scale. Dimensions for reference only

Units: mm

Konnect RF

WWW.KONNECTRF.COM
1-800-790-5887

PART NUMBER

KIS177451

DESCRIPTION

Isolator, Drop In, 4-8 GHz, 20 dB Isolation

CAGE CODE

664U0

SIGNATURE

X

THIS DRAWING INCLUDING THE DESIGNS IS THE PROPERTY OF KONNECT RF AND IS NOT TO BE USED FOR ANY PURPOSE WITHOUT OUR APPROVAL.