

PART NUMBER

**KIS177436**

REV.

DATE

COMMENTS

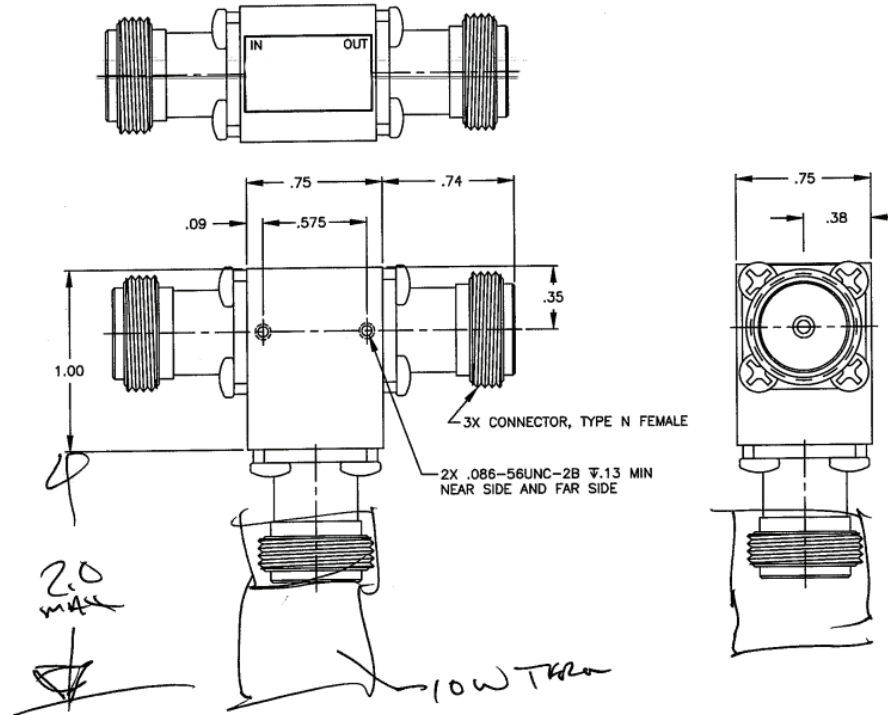
INITIAL

**RoHS Compliant****Electrical Data**

Impedance	50Ω
Frequency Range	8.0- 12.4 GHz.
Isolation	18dB min
Insertion Loss	0.6 dB Max
Power	150 Watts Avg , 1Kw Peak
VSWR	1.30 Max , 115 TYP

**Mechanical Data**

Operating Temperature: -20 °C - 85 °C



Drawing not to scale. Dimensions for reference only

Units: mm

**Konnect RF**

WWW.KONNECTRF.COM  
1-800-790-5887

PART NUMBER

**KIS177436**

DESCRIPTION

**Isolator, X Band, High Power, N Female Jack**

CAGE CODE

**664U0**

SIGNATURE

X

THIS DRAWING INCLUDING THE  
DESIGNS IS THE PROPERTY OF  
KONNECT RF AND IS NOT TO  
BE USED FOR ANY PURPOSE  
WITHOUT OUR APPROVAL.