

PART NUMBER

**KIS177408**

REV.

DATE

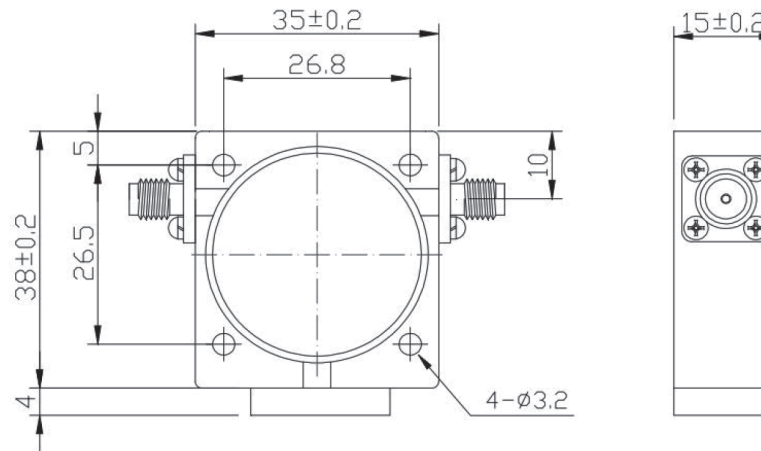
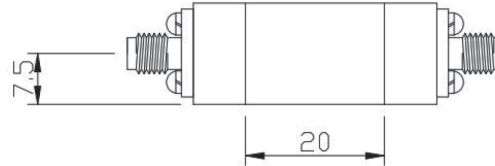
COMMENTS

INITIAL

**Electrical Data**

Impedance	50 $\Omega$
Frequency Range	1520 ~ 1560 MHz
Insertion Loss	$\leq$ 0.3 dB
Isolation	$\geq$ 23 dB
VSWR	$\leq$ 1.20
Forward Power	100 Watts CW
Reverse Power	20 Watts

RoHS Compliant

**Mechanical Data**

Temperature Range: -30 °C ~ +70 °C

**Drawing not to scale. Dimensions for reference only****Units: mm****Konnect RF**

**WWW.KONNECTRF.COM**  
**1-800-790-5887**

PART NUMBER

**KIS177408**

DESCRIPTION

**Isolator, SMA Female**

CAGE CODE

**664U0**

SIGNATURE

X

**Component**

Housing  
 Female Contact  
 Connector

**Material**

Aluminum  
 Beryllium Brass  
 Brass

**Plating**

Gold  
 Gold

THIS DRAWING INCLUDING THE  
 DESIGNS IS THE PROPERTY OF  
 KONNECT RF AND IS NOT TO  
 BE USED FOR ANY PURPOSE  
 WITHOUT OUR APPROVAL.