

PART NUMBER

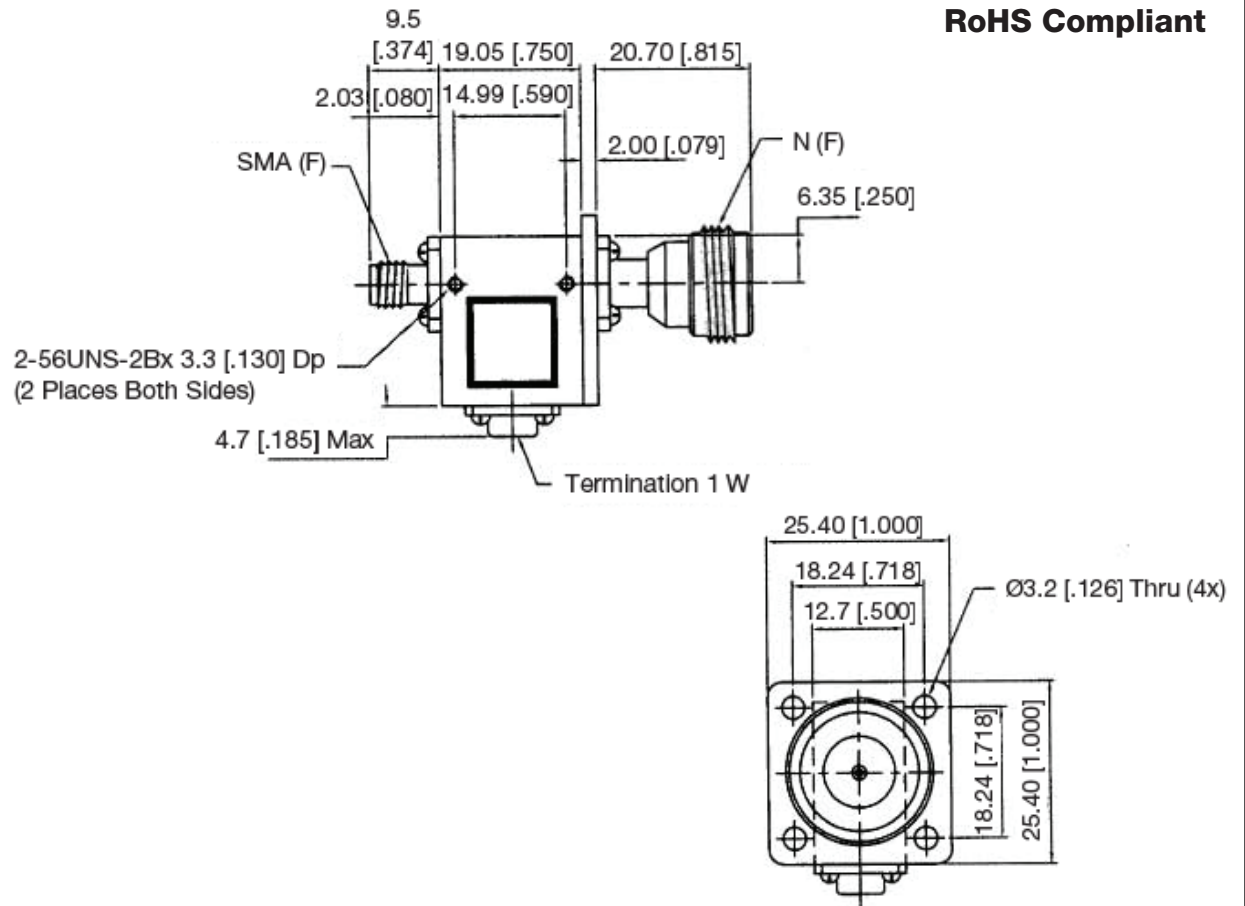
KIS177406

REV.

INITIAL

Electrical Data

Frequency Range	5.85 -6.725 GHz
Isolation	20 dB Min.
Insertion Loss	0.40 dB Max.
VSWR	1.20 Max.
Average Power	1 Watt
Operating Temperature	-20° to + 55°C
Room Temperature	+25°C @ Specs 21/0.35/1.17

RoHS Compliant

VSWR and Frequency Range Specifications are for reference and are dependant on cable type and other application specific conditions

Drawing not to scale. Dimensions for reference only

WWW.KONNECTRF.COM
540 NW University Blvd. Ste. 109
Port Saint Lucie, Florida, 34986
1-800-790-5887

PART NUMBER

KIS177406

DESCRIPTION

**Isolator - SMA Female Input
N Female 4 Hole Flange Mount Output**

CAGE CODE

664U0

SIGNATURE

X

Materials

Body

Nickel Plated

THIS DRAWING INCLUDING THE DESIGNS IS THE PROPERTY OF KONNECT RF AND IS NOT TO BE USED FOR ANY PURPOSE WITHOUT OUR APPROVAL.