

PART NUMBER

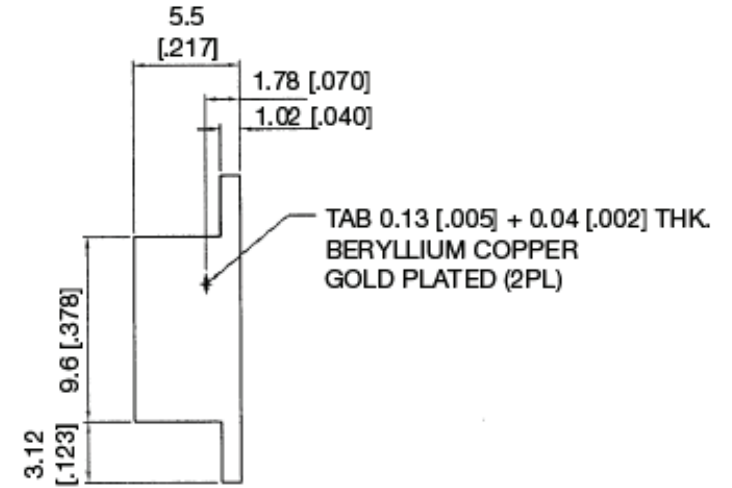
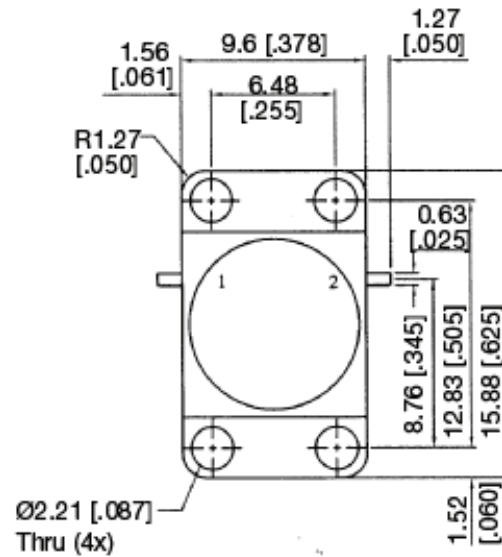
KIS177349

REV.

INITIAL

Electrical Data

Frequency Range	6.00 - 6.70 GHz
VSWR	1.33 Max.
Insertion Loss	0.60 dB Max.
Isolation	20 dB Min.
Average Power	1 Watt
Operating Temperature	-30° to + 70°C

RoHS Compliant

VSWR and Frequency Range Specifications are for reference and are dependant on cable type and other application specific conditions

Drawing not to scale. Dimensions for reference only

WWW.KONNECTRF.COM
540 NW University Blvd. Ste. 109
Port Saint Lucie, Florida, 34986
1-800-790-5887

PART NUMBER

KIS177349

DESCRIPTION

Isolator - Drop In - Flange Mount

CAGE CODE

664U0

SIGNATURE

X

THIS DRAWING INCLUDING THE DESIGNS IS THE PROPERTY OF KONNECT RF AND IS NOT TO BE USED FOR ANY PURPOSE WITHOUT OUR APPROVAL.