

PART NUMBER

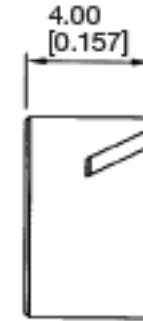
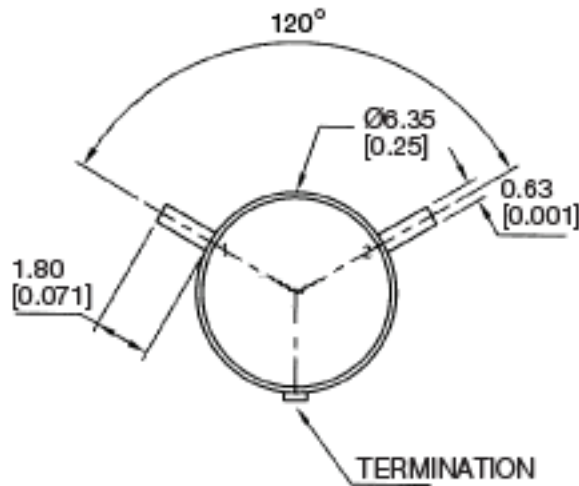
KIS177320

REV.

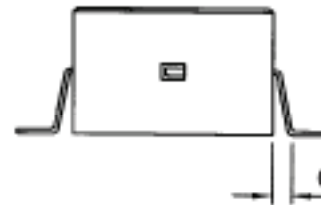
INITIAL

Electrical Data

Frequency Range	8.70 - 10.50 GHz
Isolation	17 dB Min.
Insertion Loss	0.60 dB Max.
VSWR	1.35 Max.
Average Power	1 Watt
Operating Temp.	-40°C to +85°C

RoHS Compliant

TAB 0.13 [0.005] ± 0.04 [0.002]
THK. BERYLLIUM COPPER
GOLD PLATED (2 PL)



VSWR and Frequency Range Specifications
are for reference and are dependant on cable
type and other application specific conditions

Drawing not to scale. Dimensions for reference only

WWW.KONNECTRF.COM
540 NW University Blvd. Ste. 109
Port Saint Lucie, Florida, 34986
1-800-790-5887

PART NUMBER

KIS177320

DESCRIPTION

Isolator -Surface Mount

CAGE CODE

664U0

SIGNATURE

X

THIS DRAWING INCLUDING THE
DESIGNS IS THE PROPERTY OF
KONNECT RF AND IS NOT TO
BE USED FOR ANY PURPOSE
WITHOUT OUR APPROVAL.