

PART NUMBER

KIS177308

REV.

DATE

COMMENTS

INITIAL

Electrical Data

Impedance	50 Ω
Frequency Range	25.50 - 27.00 GHz.
Isolation	18 dB min
Insertion Loss	0.60 dB max
Average Power	2 W
VSWR	1.25 max

Mechanical Data

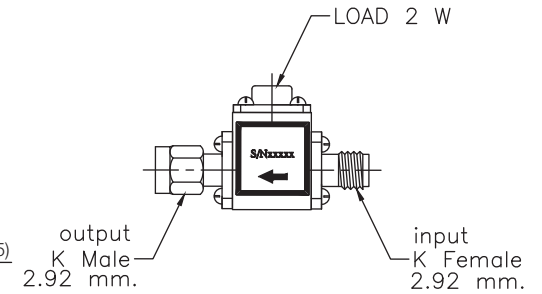
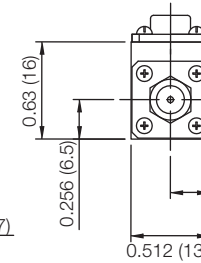
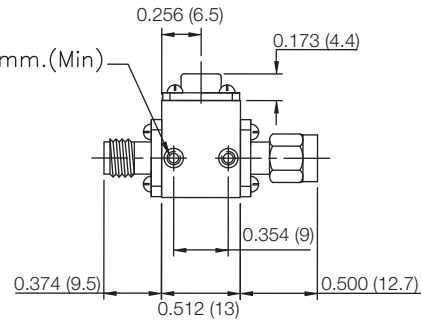
Operating Temperature -10 °C - 60 °C

Specs

Forward Power	2 W CW
Reverse Power	2 W CW

RoHS Compliant

2-56UNC X 3.50 mm.(Min)
(2 PLACES)



Drawing not to scale. Dimensions for reference only

Units: inches (mm)

Konnect RF

WWW.KONNECTRF.COM
1-800-790-5887

PART NUMBER

KIS177308

DESCRIPTION

Isolator, 2.92mm Female Jack Input/2.92mm Male Plug Output

CAGE CODE

664U0

SIGNATURE

X

Component
Body

Material
Aluminum

Plating
Nickel

THIS DRAWING INCLUDING THE
DESIGNS IS THE PROPERTY OF
KONNECT RF AND IS NOT TO
BE USED FOR ANY PURPOSE
WITHOUT OUR APPROVAL.