

PART NUMBER

**KIS177261**

REV.

DATE

COMMENTS

INITIAL

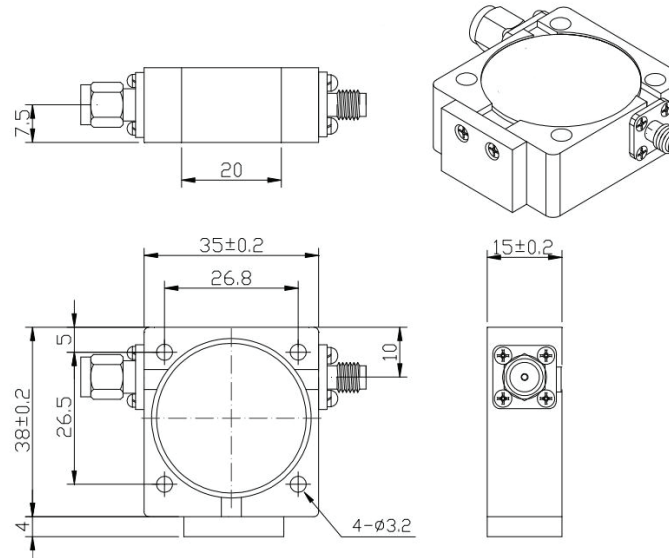
**Electrical Data**

Impedance	50 $\Omega$
Frequency Range	1.1-1.35 GHz.
Insertion Loss	0.5 dB Max
Forward Power	100 Watts
Reverse Power	20 Watts
VSWR	1.25 Max

RoHS Compliant

**Mechanical Data**

Temperature Range: -20 °C - 60 °C



Drawing not to scale. Dimensions for reference only

Units: mm

**Konnect RF**

WWW.KONNECTRF.COM  
1-800-790-5887

PART NUMBER

**KIS177261**

DESCRIPTION

**Isolator, SMA Male/Female**

CAGE CODE

**664U0**

SIGNATURE

X

THIS DRAWING INCLUDING THE  
DESIGNS IS THE PROPERTY OF  
KONNECT RF AND IS NOT TO  
BE USED FOR ANY PURPOSE  
WITHOUT OUR APPROVAL.