

PART NUMBER

**KIS177144**

REV.

DATE

COMMENTS

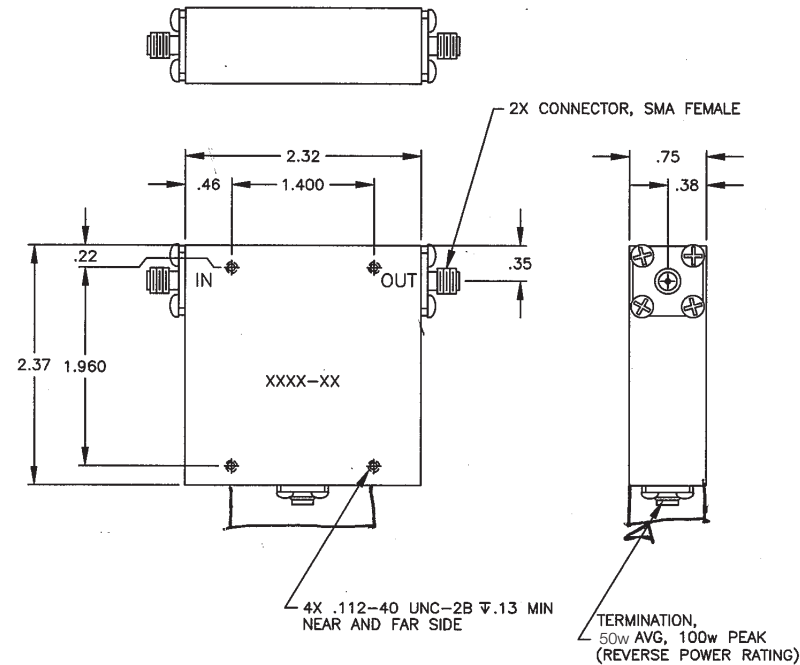
INITIAL

**RoHS Compliant****Electrical Data**

Frequency Range	1.5-3.0 GHz.
Isolation	18 dB
Insertion Loss	0.5 dB max
Operating Power	75w CW, 150w Pk (fwd)
VSWR	1.30 Max

**Mechanical Data**

Operating Temperature	0 °C - 50 °C
Temperature Range:	-40 °C - 90 °C



Drawing not to scale. Dimensions for reference only

Units: inches

**Konnect RF**

WWW.KONNECTRF.COM  
1-800-790-5887

PART NUMBER

**KIS177144**

DESCRIPTION

**Isolator, SMA Female**

CAGE CODE

**664U0**

SIGNATURE

X

THIS DRAWING INCLUDING THE  
DESIGNS IS THE PROPERTY OF  
KONNECT RF AND IS NOT TO  
BE USED FOR ANY PURPOSE  
WITHOUT OUR APPROVAL.