

PART NUMBER

KIS177100

REV.

DATE

COMMENTS

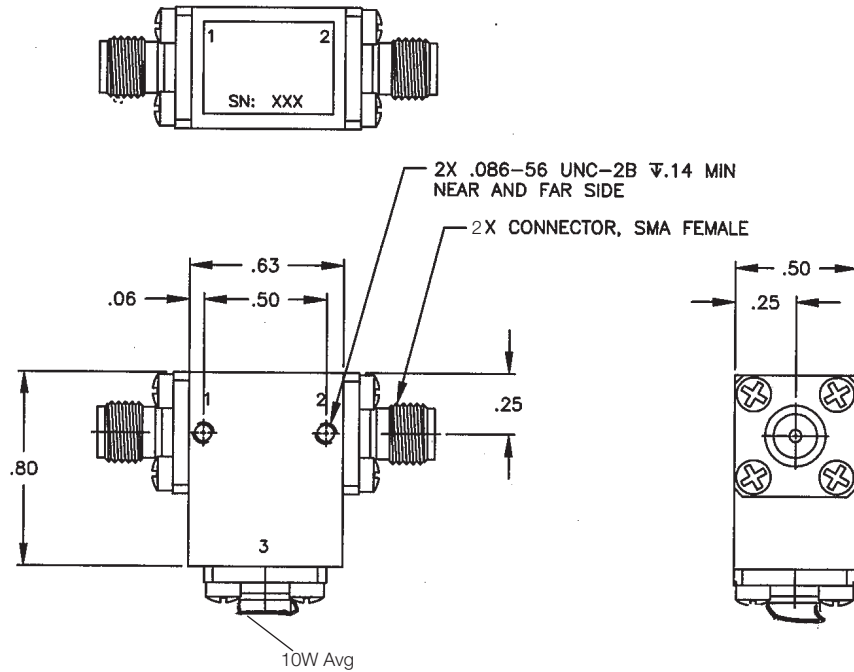
INITIAL

Electrical Data

Frequency Range	8 - 18 GHz.
Insertion Loss	0.8 dB
Isolation	15 dB
Power	50 Watts
VSWR	1.45 Max

RoHS Compliant**Mechanical Data**

Temperature Range:	-20 °C - 65 °C
--------------------	----------------



Drawing not to scale. Dimensions for reference only

Units: inches

Konnect RF

WWW.KONNECTRF.COM
1-800-790-5887

PART NUMBER

KIS177100

DESCRIPTION

Isolator, XK Band, SMA Female Jack

CAGE CODE

664U0

SIGNATURE

X

THIS DRAWING INCLUDING THE
DESIGNS IS THE PROPERTY OF
KONNECT RF AND IS NOT TO
BE USED FOR ANY PURPOSE
WITHOUT OUR APPROVAL.