

PART NUMBER

**KFL177945**

REV.

DATE

COMMENTS

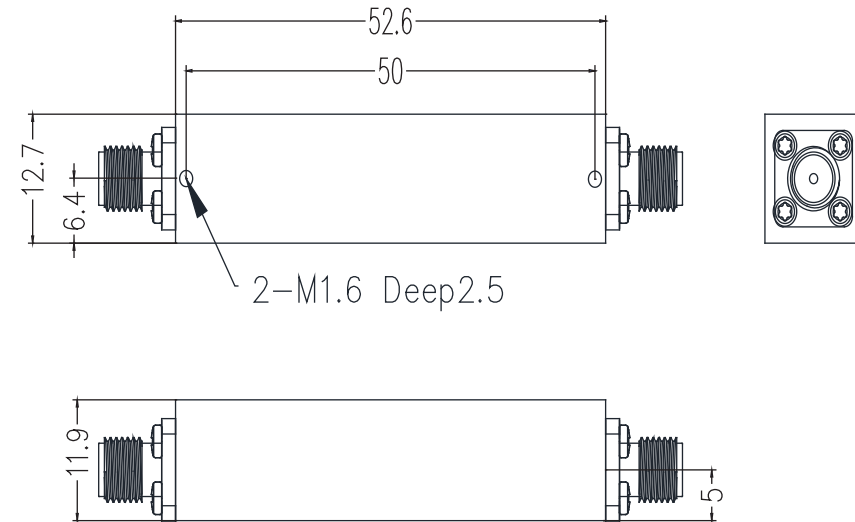
INITIAL

**Electrical Data**

Impedance	50 $\Omega$
Passband	9,900-10,800MHz
Insertion Loss	$\leq 1.0$ dB
VSWR	$\leq 1.4$ dB
Rejection	$\geq 50$ dB@DC-8350MHz
	$\geq 50$ dB@12350MHz
Average Power	$\leq 5$ W

**RoHS Compliant****Mechanical Data**

Storage Temperature :	-40°C - 85 °C
Operating Environment	Indoor Application -30°C to +70°C



Drawing not to scale. Dimensions for reference only

Units: mm Tolerance  $\pm 0.3$ mm**Konnect RF**

WWW.KONNECTRF.COM  
1-800-790-5887

PART NUMBER

**KFL177945**

DESCRIPTION

**Filter, Passband, SMA Female**

CAGE CODE

**664U0**

SIGNATURE

X

**Component**  
Body

**Material**

**Plating/Finish**  
Black Paint

THIS DRAWING INCLUDING THE  
DESIGNS IS THE PROPERTY OF  
KONNECT RF AND IS NOT TO  
BE USED FOR ANY PURPOSE  
WITHOUT OUR APPROVAL.