

PART NUMBER

KFL177603

REV.

DATE

COMMENTS

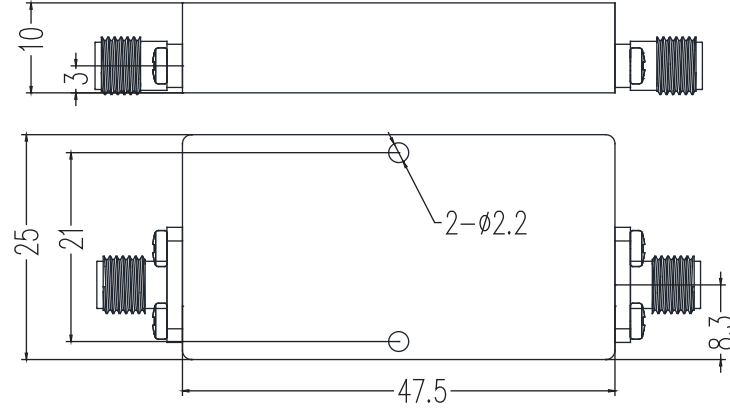
INITIAL

Electrical Data

Impedance	50 Ω
Center Frequency(f0)	26.25GHz
1dB Bandwidth	(f0 \pm 875MHz) \pm 10MHz
30dB Bandwidth	(f0 \pm 1315MHz) \pm 10MHz
Rejection	\geq 60dB@DC-2.45GHz & \geq 60dB@28GHz-30GHz
Insertion Loss	\leq 3.0dB
Group Delay	\leq 5ns
VSWR	\leq 1.5
Average Power	\leq 10W

Mechanical Data

Durability	500 Cycles Min.
Temperature Range:	-55 $^{\circ}$ C - 165 $^{\circ}$ C
Operational Temperature	+10 to +50 $^{\circ}$ C
Storage Temperature	-55 to +85 $^{\circ}$ C

RoHS Compliant

Drawing not to scale. Dimensions for reference only

Units:mm (\pm 0.5mm)**Konnect RF**

WWW.KONNECTRF.COM
1-800-790-5887

PART NUMBER

KFL177603

DESCRIPTION

Filter, Highpass, 3.5mm Female

CAGE CODE

664U0

SIGNATURE

X

Component
Body

Material

Plating
Black Paint

THIS DRAWING INCLUDING THE
DESIGNS IS THE PROPERTY OF
KONNECT RF AND IS NOT TO
BE USED FOR ANY PURPOSE
WITHOUT OUR APPROVAL.