

PART NUMBER

**KFL177545**

REV.

DATE

COMMENTS

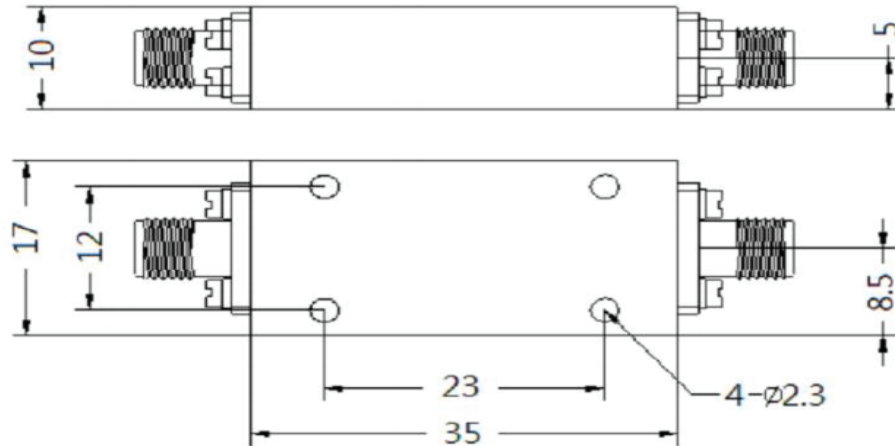
INITIAL

**Electrical Data**

Impedance	50 $\Omega$
Reject Band	40.0GHz~43.5GHz
Pass Band	DC~38.5GHz; 45.0-50.0GHz
Insertion Loss	5.0 dB MAX at DC-38.5GHz&45.0-50.0GHz
Attenuation	40dB MIN.
VSWR	2.0:1 MAX.
Storage Temperature	0°C ~+40°C
Average Power	0.5W

**RoHS Compliant****Mechanical Data**

Storage Temperature	0°C ~+40°C
---------------------	------------



Drawing not to scale. Dimensions for reference only

Units: mm Tolerance:  $\pm 1$ mm**Konnect RF**

WWW.KONNECTRF.COM  
1-800-790-5887

PART NUMBER

**KFL177545**

DESCRIPTION

**Notch Filter, 2.92mm Female (Reject Band)**

CAGE CODE

**664U0**

SIGNATURE

X

THIS DRAWING INCLUDING THE  
DESIGNS IS THE PROPERTY OF  
KONNECT RF AND IS NOT TO  
BE USED FOR ANY PURPOSE  
WITHOUT OUR APPROVAL.