

PART NUMBER

KFL177264

REV.

DATE

COMMENTS

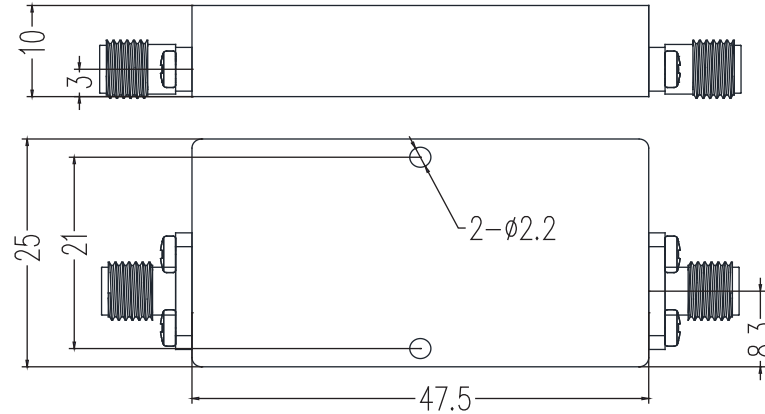
INITIAL

RoHS Compliant**Electrical Data**

Impedance	50 Ω
Average Power	$\leq 10W$
Insertion Loss	$\leq 3.0dB$
Rejection	$\geq 60dB@26.16GHz$ & $\geq 60dB@27.12GHz$
30dB Bandwidth	$(f_0 \pm 240MHz) \pm 10MHz$
1dB Bandwidth	$(f_0 \pm 160MHz) \pm 10MHz$
Center Frequency	26.64GHz
VSWR	≤ 1.5
Group Delay	$\leq 10ns$

Mechanical Data

Operational Temperature:	10 °C - 50 °C
Storage Temperature	-55°C-+85°C



Drawing not to scale. Dimensions for reference only

Units: (mm) (± 0.5)**Konnect RF**

WWW.KONNECTRF.COM
1-800-790-5887

PART NUMBER

KFL177264

DESCRIPTION

Filter, Highpass, 2.92mm Female

CAGE CODE

664U0

SIGNATURE

X

THIS DRAWING INCLUDING THE
DESIGNS IS THE PROPERTY OF
KONNECT RF AND IS NOT TO
BE USED FOR ANY PURPOSE
WITHOUT OUR APPROVAL.