

PART NUMBER

KFL177262

REV.

DATE

COMMENTS

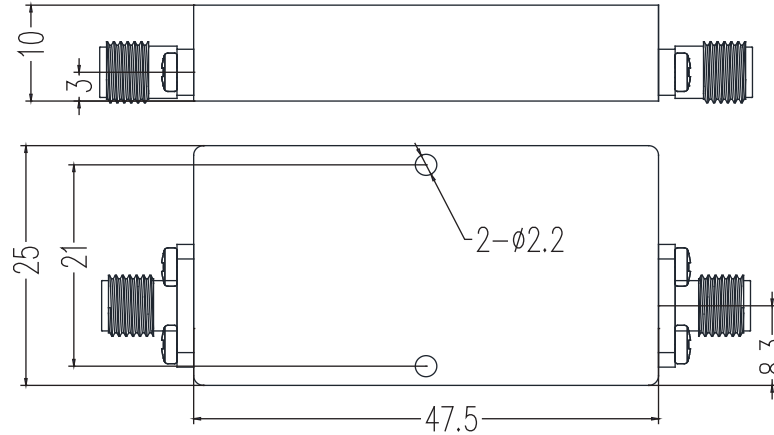
INITIAL

RoHS Compliant**Electrical Data**

Impedance	50 Ω
Average Power	$\leq 10\text{W}$
Insertion Loss	$\leq 3.0\text{dB}$
Rejection	$\geq 60\text{dB}@25.68\text{GHz}$ & $\geq 60\text{dB}@26.64\text{GHz}$
30dB Bandwidth	$(f_0 \pm 240\text{MHz}) \pm 10\text{MHz}$
1dB Bandwidth	$(f_0 \pm 160\text{MHz}) \pm 10\text{MHz}$
Center Frequency	26.16GHz
VSWR	≤ 1.5
Group Delay	$\leq 10\text{ns}$

Mechanical Data

Operational Temperature:	10 $^{\circ}\text{C}$ - 50 $^{\circ}\text{C}$
Storage Temperature	-55 $^{\circ}\text{C}$ -+85 $^{\circ}\text{C}$



Drawing not to scale. Dimensions for reference only

Units: mm (± 0.5)**Konnect RF**

WWW.KONNECTRF.COM
1-800-790-5887

PART NUMBER

KFL177262

DESCRIPTION

Filter, Highpass, 2.92mm Female

CAGE CODE

664U0

SIGNATURE

X

THIS DRAWING INCLUDING THE
DESIGNS IS THE PROPERTY OF
KONNECT RF AND IS NOT TO
BE USED FOR ANY PURPOSE
WITHOUT OUR APPROVAL.