

PART NUMBER

KFL177213

REV.

DATE

COMMENTS

INITIAL

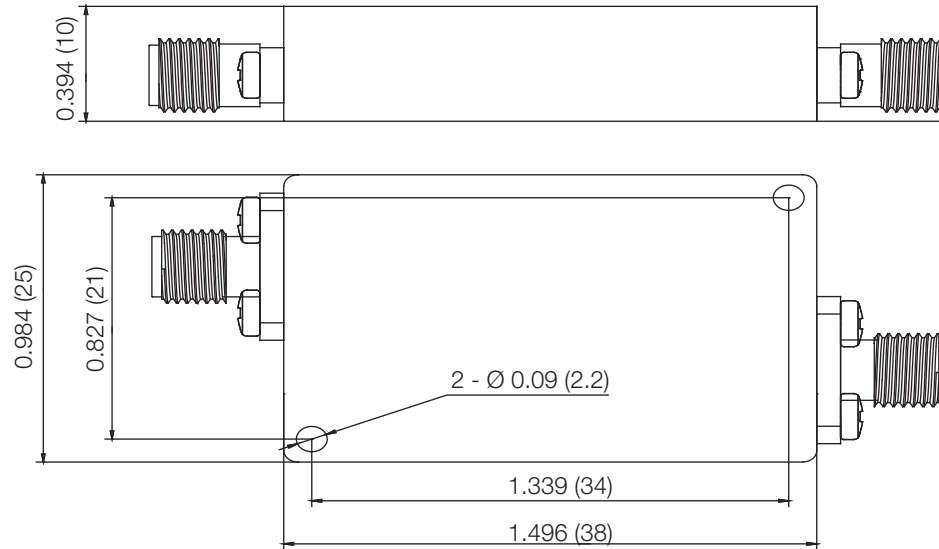
Electrical Data

Impedance	50 Ω
Center Frequency	26350 MHz
Bandwidth	1500 MHz
Rejection	≥ 70 dB @ DC - 23.83 GHz
	≥ 66 dB @ 28.67 GHz - 30 GHz
Insertion Loss	≤ 1.0 dB
Band Pass Flatness	≤ 0.6 dB
Group Delay Variation	≤ 1 ns
Return Loss	≥ 16 dB
Average Power	≤ 10 W

Mechanical Data

Operational Temperature	0 $^{\circ}$ C - 50 $^{\circ}$ C
Storage Temperature	-55 $^{\circ}$ C - 85 $^{\circ}$ C

RoHS Compliant



Drawing not to scale. Dimensions for reference only

Units: inches (mm)

Konnect RF

WWW.KONNECTRF.COM
1-800-790-5887

PART NUMBER

KFL177213

DESCRIPTION

Filter, Bandpass, 2.92mm Female

CAGE CODE

664U0

SIGNATURE

X

Component
Body

Plating/Finish
Black Paint

THIS DRAWING INCLUDING THE
DESIGNS IS THE PROPERTY OF
KONNECT RF AND IS NOT TO
BE USED FOR ANY PURPOSE
WITHOUT OUR APPROVAL.