

PART NUMBER

**KFL177171**

REV.

DATE

COMMENTS

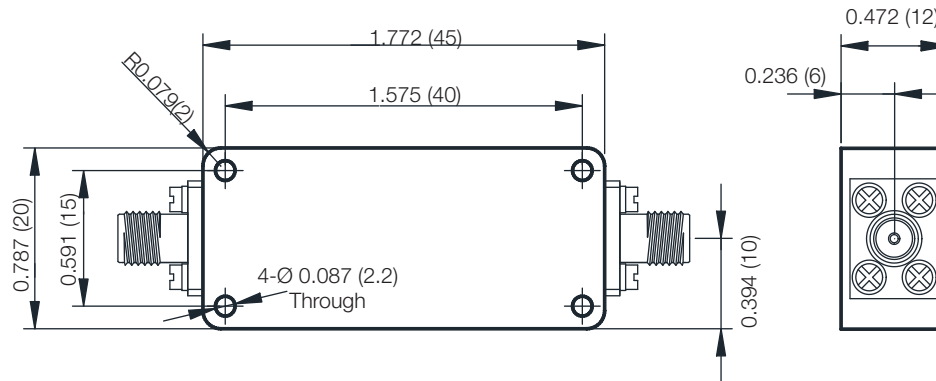
INITIAL

**Electrical Data**

Impedance	50 $\Omega$
Frequency Range	2-14 GHz.
Insertion Loss	$\leq 3$ dB @ 2GHz $\leq 1$ dB @ 2.2-14GHz
Rejection	$\geq 60$ dB@DC-1500MHz
Power Handling	5W Avg
VSWR	$\leq 1.8$ @2-2.2GHz $\leq 1.5$ @2.2-14GHz

**RoHS Compliant****Mechanical Data**

Operation Temperature	0 $^{\circ}$ C - 55 $^{\circ}$ C
Storage Temperature:	-55 $^{\circ}$ C - 85 $^{\circ}$ C



Drawing not to scale. Dimensions for reference only

Units: inches (mm)

**Konnect RF**

WWW.KONNECTRF.COM  
1-800-790-5887

PART NUMBER

**KFL177171**

DESCRIPTION

**Filter, High Pass, SMA Female**

CAGE CODE

**664U0**

SIGNATURE

X

**Component**  
Body

**Material**

**Plating**  
Black

THIS DRAWING INCLUDING THE  
DESIGNS IS THE PROPERTY OF  
KONNECT RF AND IS NOT TO  
BE USED FOR ANY PURPOSE  
WITHOUT OUR APPROVAL.