

PART NUMBER

KFL177167

REV.

DATE

COMMENTS

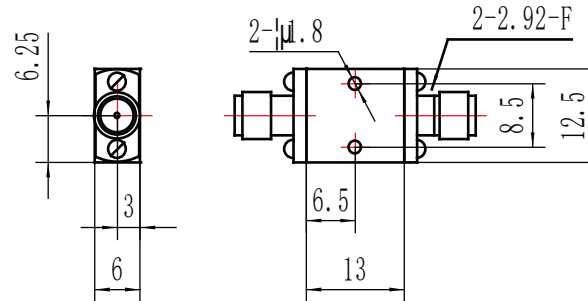
INITIAL

Electrical Data

Impedance	50 Ω
Cut Frequency(-3dB)	25.7GHz
-1dB BW	$\geq 500\text{MHz}$
Insertion Loss	$\leq 1\text{dB}@F_0$
Rejection	10dB @ 28.5GHz
	$\leq 30\text{dB}$ @ 31.5GHz
Adaptation in the pass band	$\geq 10\text{dB}$

RoHS Compliant**Mechanical Data**

Temperature Range: -40 °C - 70 °C



Drawing not to scale. Dimensions for reference only

Units: mm

Konnect RF

WWW.KONNECTRF.COM
1-800-790-5887

PART NUMBER

KFL177167

DESCRIPTION

Filter, 2.92mm Female Jack

CAGE CODE

664U0

SIGNATURE

X

THIS DRAWING INCLUDING THE
DESIGNS IS THE PROPERTY OF
KONNECT RF AND IS NOT TO
BE USED FOR ANY PURPOSE
WITHOUT OUR APPROVAL.