

PART NUMBER

KFL177139

REV.

DATE

COMMENTS

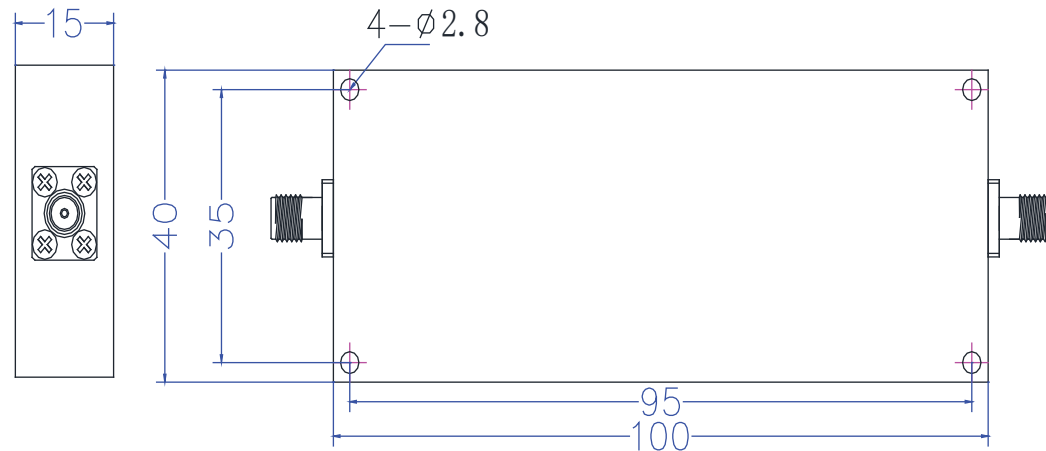
INITIAL

Electrical Data

Impedance	50 Ω
Pass Band	1525-3275MHz
Rejection	$\geq 60\text{dB}$ @ 500MHz & 4,300MHz $\geq 80\text{dB}$ @ DC - 4800MHz
Insertion Loss	$\leq 3.0\text{dB}$
VSWR	≤ 1.5
Group Delay	$\leq 5\text{ns}$ @ 2,400MHz
Average Power	$\leq 20\text{W}$

Mechanical Data

Operational Temperature	+10 to +50 C°
Storage Temperature	-45 to +85 C°

RoHS Compliant

Drawing not to scale. Dimensions for reference only

Units: mm (± 0.5)**Konnect RF**

WWW.KONNECTRF.COM
1-800-790-5887

PART NUMBER

KFL177139

DESCRIPTION

Filter, Highpass, SMA Female

CAGE CODE

664U0

SIGNATURE

X

THIS DRAWING INCLUDING THE
DESIGNS IS THE PROPERTY OF
KONNECT RF AND IS NOT TO
BE USED FOR ANY PURPOSE
WITHOUT OUR APPROVAL.