

PART NUMBER

KDU177494

REV.

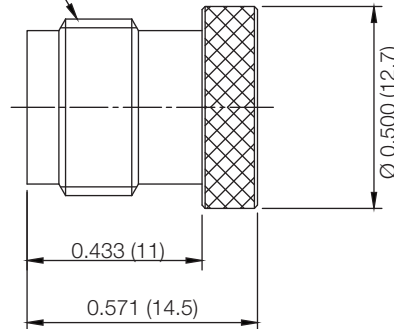
DATE

COMMENTS

INITIAL

Electrical DataImpedance 50 Ω **RoHS Compliant**

7/16-28UNF-2A



Drawing not to scale. Dimensions for reference only

Units: inches (mm)

Konnect RFWWW.KONNECTRF.COM
1-800-790-5887

PART NUMBER

KDU177494

DESCRIPTION

Dust Cap, TNC Female Jack

CAGE CODE

664U0

SIGNATURE

X

Component
Body**Material**
Brass**Plating**
NickelTHIS DRAWING INCLUDING THE
DESIGNS IS THE PROPERTY OF
KONNECT RF AND IS NOT TO
BE USED FOR ANY PURPOSE
WITHOUT OUR APPROVAL.