

PART NUMBER

KDU177406

REV.

DATE

COMMENTS

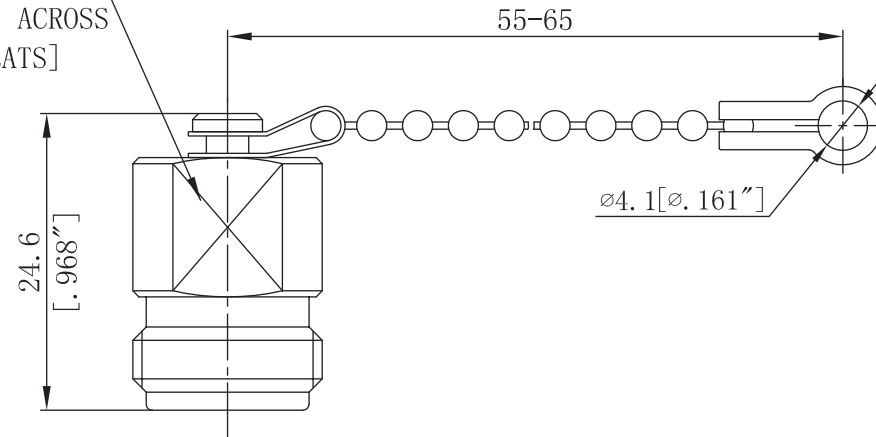
INITIAL

Electrical DataImpedance 50 Ω **Mechanical Data**

Temperature Range: -40 °C - 125 °C

RoHS Compliant

SW14.3

[.562" ACROSS
(2) FLATS]

Drawing not to scale. Dimensions for reference only

Units: mm (Inches)

Konnect RFWWW.KONNECTRF.COM
1-800-790-5887

PART NUMBER

KDU177406

DESCRIPTION

Dust Cap, N Female Jack

CAGE CODE

664U0

SIGNATURE

X

Component
Body**Material**
Brass**Plating**
NickelTHIS DRAWING INCLUDING THE
DESIGNS IS THE PROPERTY OF
KONNECT RF AND IS NOT TO
BE USED FOR ANY PURPOSE
WITHOUT OUR APPROVAL.