

PART NUMBER

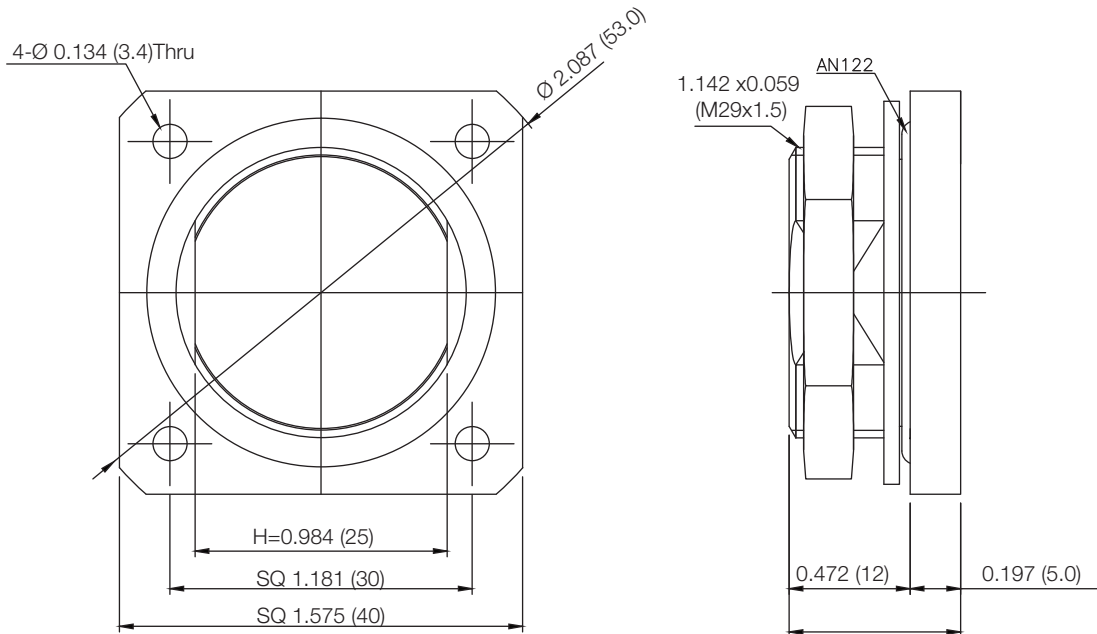
**KDU177361**

REV.

DATE

COMMENTS

INITIAL

**Electrical Data**Impedance 50  $\Omega$ **RoHS Compliant**

Drawing not to scale. Dimensions for reference only

Units: inches (mm)

**Konnect RF**WWW.KONNECTRF.COM  
1-800-790-5887

PART NUMBER

**KDU177361**

DESCRIPTION

**Dust Cap, 7/16 DIN Female Jack, 4 Hole Flange Mount**

CAGE CODE

**664U0**

SIGNATURE

X

**Component**

Body ,Nut &amp; Washer

**Material**

Brass

**Plating**

White Bronze

THIS DRAWING INCLUDING THE  
DESIGNS IS THE PROPERTY OF  
KONNECT RF AND IS NOT TO  
BE USED FOR ANY PURPOSE  
WITHOUT OUR APPROVAL.