

PART NUMBER

KDCB177941

REV.

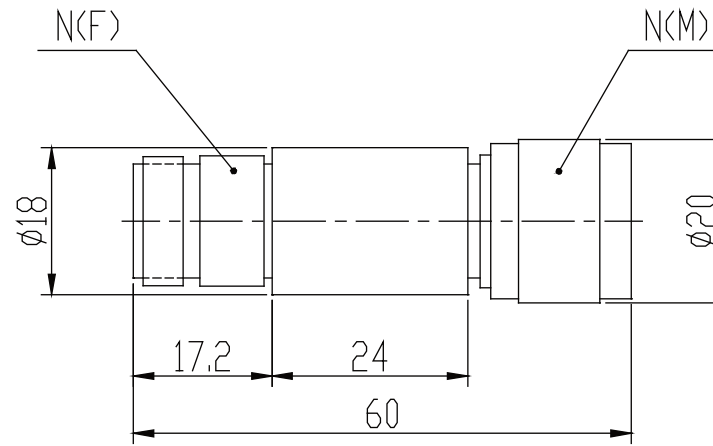
DATE

COMMENTS

INITIAL

Electrical DataImpedance 50 Ω **RoHS Compliant**

KDCB177941	Frequency Range(GHz)	Insertion Loss(dB)	VSWR	DC Voltage(V)
	0.1-4	≤ 0.2	<1.15	100V
	4-8	≤ 0.4	<1.30	
	8-12.4	≤ 0.5	<1.35	
	12.4-18	≤ 0.8	<1.40	

Mechanical DataTemperature Range: -55 $^{\circ}\text{C}$ - 100 $^{\circ}\text{C}$ 

Drawing not to scale. Dimensions for reference only

Units: mm Tolerance $\pm 5\%$ **Konnect RF**WWW.KONNECTRF.COM
1-800-790-5887

PART NUMBER

KDCB177941

DESCRIPTION

DC Block, N M/F

CAGE CODE

664U0

SIGNATURE

X

THIS DRAWING INCLUDING THE DESIGNS IS THE PROPERTY OF KONNECT RF AND IS NOT TO BE USED FOR ANY PURPOSE WITHOUT OUR APPROVAL.

Component

Body
Male Pin
Female Pin
Housing

Material

Brass
Brass
BeCu
Aluminum

Plating

Nickel
Gold
Gold