

PART NUMBER

KDCB177842

REV.

DATE

COMMENTS

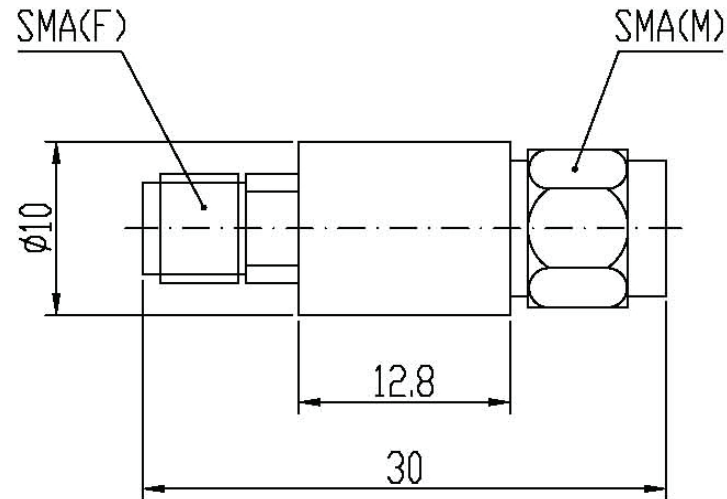
INITIAL

Electrical DataImpedance 50 Ω **Mechanical Data**

Temperature Range: -55 °C - 100 °C

RoHS Compliant

Model Number	Frequency Range(GHz)	Insertion Loss(dB)	VSWR	DC Voltage(V)
KDCB177842	0.13-8	≤ 0.3	<1.20	50
	8-18	≤ 0.5	<1.35	
	18-26.5	≤ 0.6	<1.55	



Drawing not to scale. Dimensions for reference only

Units: mm

Konnect RFWWW.KONNECTRF.COM
1-800-790-5887

PART NUMBER

KDCB177842

DESCRIPTION

DC Block, SMA M/F

CAGE CODE

664U0

SIGNATURE

X

THIS DRAWING INCLUDING THE DESIGNS IS THE PROPERTY OF KONNECT RF AND IS NOT TO BE USED FOR ANY PURPOSE WITHOUT OUR APPROVAL.

Component

Body
Male Pin
Female Pin
Housing

Material

Brass
Brass
BeCu
Aluminum

Plating

Nickel
Gold
Gold