

PART NUMBER

KDCB177600

REV.

DATE

COMMENTS

INITIAL

A

03/27/2020

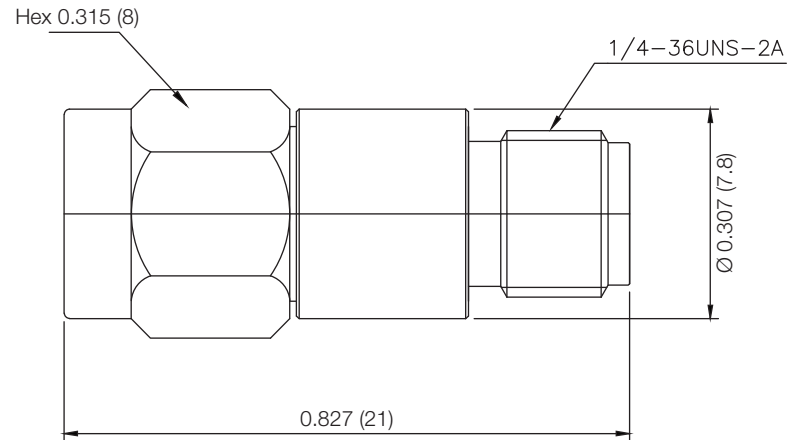
Updated Overall Length

*MP***RoHS Compliant****Electrical Data**

Impedance 50 Ω
 Frequency Range 300KHz-3GHz.

Mechanical Data

Temperature Range: -55 °C - 90 °C
 Storage Temperature -55 °C - 125 °C
 DC Input Voltage 16WVDC
 Mating Life 500 Mating Min



Drawing not to scale. Dimensions for reference only

Units: inches (mm)

Konnect RF

WWW.KONNECTRF.COM
 1-800-790-5887

PART NUMBER

KDCB177600

DESCRIPTION

DC Block, SMA M/F

CAGE CODE

664U0

SIGNATURE

X

THIS DRAWING INCLUDING THE
 DESIGNS IS THE PROPERTY OF
 KONNECT RF AND IS NOT TO
 BE USED FOR ANY PURPOSE
 WITHOUT OUR APPROVAL.

Component

Body & Coupling Cap
 Center Contact

Material

Brass
 BeCu
 Brass
 Brass
 PTFE

Plating

Gold
 Gold
 Gold
 Gold

Cover
 Insulator