

PART NUMBER

KDCB177408

REV.

DATE

COMMENTS

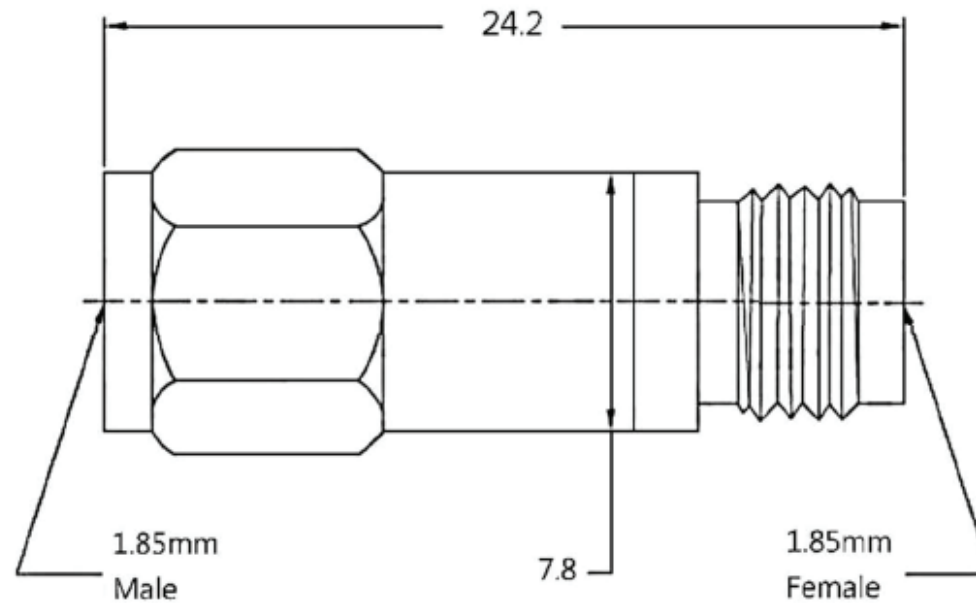
INITIAL

Electrical Data

Impedance	50 Ω
Frequency Range	10MHz - 67GHz.
Insertion Loss	1 dB
Return Loss	15dB
Breakdown Voltage	16 V
Specification Temperature	+25 °C

Mechanical Data

Operating Temperature: -40 °C - +85 °C

RoHS Compliant

Drawing not to scale. Dimensions for reference only

Units: mm

Konnect RF

WWW.KONNECTRF.COM
1-800-790-5887

PART NUMBER

KDCB177408

DESCRIPTION

DC Block, 1.85 mm Inner Coaxial DC Block M/F

CAGE CODE

664U0

SIGNATURE

X

THIS DRAWING INCLUDING THE
DESIGNS IS THE PROPERTY OF
KONNECT RF AND IS NOT TO
BE USED FOR ANY PURPOSE
WITHOUT OUR APPROVAL.

Component

Body
Center Contact

Material

Stainless Steel
BeCu

Plating/Finish

Passivated
Gold