

PART NUMBER

KDCB177365

REV.

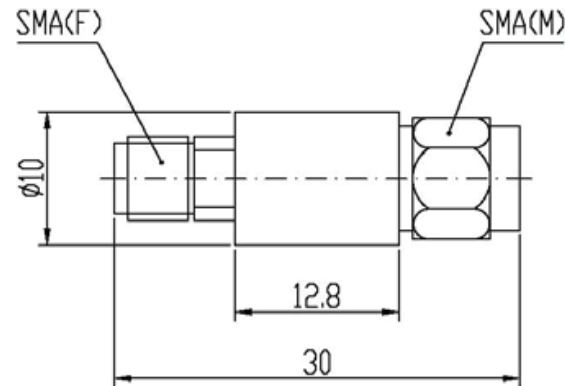
INITIAL

Electrical Data**RoHS Compliant**

| | | |
|-----------------|----------------|-------|
| Impedance | 50 Ω | |
| DC Voltage | 50 V | |
| Frequency Range | Insertion Loss | VSWR |
| 0.13 - 8 GHz | ≤ 0.2 dB | <1.20 |
| 8-18 GHz | ≤ 0.5 dB | <1.30 |
| 18-26.5 GHz | ≤ 0.6 dB | <1.50 |

Mechanical Data

Temperature Range: -55°C - 100 °C



Drawing not to scale. Dimensions for reference only

Units: mm

Konnect RF

WWW.KONNECTRF.COM
1-800-790-5887

PART NUMBER

KDCB177365

DESCRIPTION

DC Block, SMA M/F, Inner Only

CAGE CODE

664U0

SIGNATURE

X

THIS DRAWING INCLUDING THE
DESIGNS IS THE PROPERTY OF
KONNECT RF AND IS NOT TO
BE USED FOR ANY PURPOSE
WITHOUT OUR APPROVAL.

Component

Body
Center Contact Male
Center Contact Female

Material

Brass
Brass
BeCu

Plating

Nickel
Gold
Gold