

PART NUMBER

**KDCB177350**

REV.

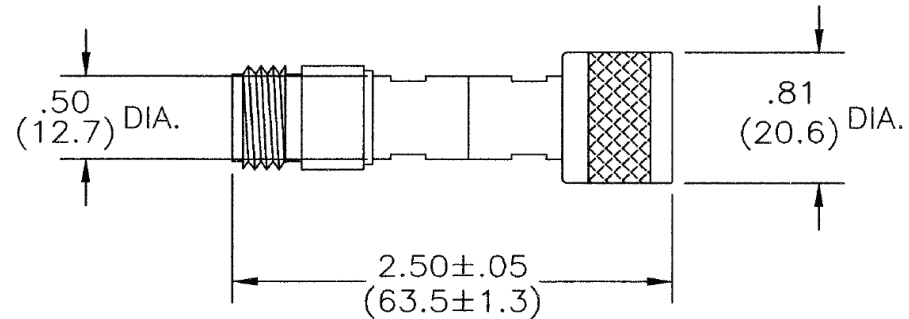
INITIAL

**Electrical Data**

Impedance 50  $\Omega$   
 Frequency Range 0.40 - 3.0 GHz.  
 Insertion Loss 0.25 dB Typ. 0.35 dB Max.  
 DC Voltage Rating 50 Volts  
 Average Power 100 Watts  
 VSWR  $\leq 1.28:1$

**RoHS Compliant****Mechanical Data**

Temperature Range: -55 °C - 125 °C



Drawing not to scale. Dimensions for reference only

Units: inches (mm)

**Konnect RF**

WWW.KONNECTRF.COM  
 1-800-790-5887

PART NUMBER

**KDCB177350**

DESCRIPTION

**DC Block, N Male/Female, Inner Only**

CAGE CODE

**664U0**

SIGNATURE

X

THIS DRAWING INCLUDING THE  
 DESIGNS IS THE PROPERTY OF  
 KONNECT RF AND IS NOT TO  
 BE USED FOR ANY PURPOSE  
 WITHOUT OUR APPROVAL.

**Component**  
 N Connectors

**Material**  
 Brass

**Plating**  
 White Bronze