

PART NUMBER

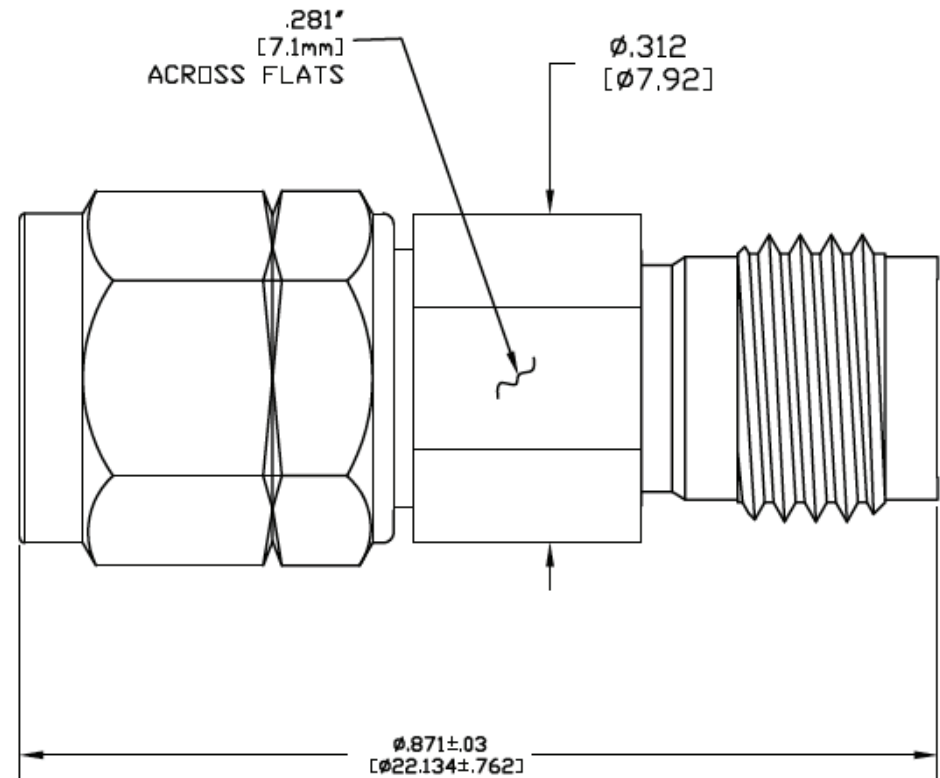
**KDCB177320**

REV.

INITIAL

**Electrical Data**

Impedance	50 $\Omega$	
Frequency Range	10 MHz - 50 GHz	
Insertion Loss	10 MHz - 40 GHz	40 - 50 GHz
	1 dB Max.	1.25 dB Max.
VSWR	10 MHz - 50 GHz	
	<1.65:1	
Voltage	100 Volts Max.	
Operating Temperature	-35° to + 85°C	

**RoHS Compliant**

VSWR and Frequency Range Specifications are for reference and are dependant on cable type and other application specific conditions

Drawing not to scale. Dimensions for reference only

WWW.KONNECTRF.COM  
540 NW University Blvd. Ste. 109  
Port Saint Lucie, Florida, 34986  
1-800-790-5887

PART NUMBER

**KDCB177320**

DESCRIPTION

**DC Block - 2.4mm M/F**

CAGE CODE

**664U0**

SIGNATURE

X

**Materials**

Housing	Stainless Steel	Passivated
Contact	Be.Cu	Gold Plated
Insulator	High Temperature Plastic Bead	

THIS DRAWING INCLUDING THE DESIGNS IS THE PROPERTY OF KONNECT RF AND IS NOT TO BE USED FOR ANY PURPOSE WITHOUT OUR APPROVAL.