

PART NUMBER

**KDCB177302**

REV.

DATE

COMMENTS

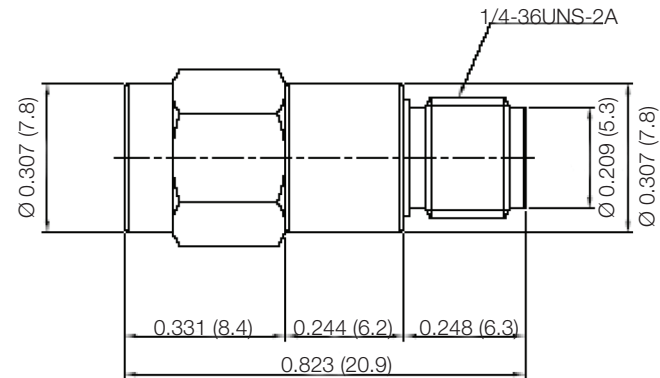
INITIAL

**Electrical Data**

Impedance 50  $\Omega$   
 Frequency Range DC - 6 GHz.  
 Power 25W CW  
 Insertion Loss 0.4 dB  
 VSWR  $\leq 1.30$

**RoHS Compliant****Mechanical Data**

Temperature Range: -55 °C - 85 °C



Drawing not to scale. Dimensions for reference only

Units: inches (mm)

**Konnect RF**

WWW.KONNECTRF.COM  
 1-800-790-5887

PART NUMBER

**KDCB177302**

DESCRIPTION

**DC Block, SMA M/F, Inner**

CAGE CODE

**664U0**

SIGNATURE

X

**Component**  
Body

**Material**  
Brass

**Plating**  
Gold

THIS DRAWING INCLUDING THE  
 DESIGNS IS THE PROPERTY OF  
 KONNECT RF AND IS NOT TO  
 BE USED FOR ANY PURPOSE  
 WITHOUT OUR APPROVAL.