

PART NUMBER

KDCB177295

REV.

DATE

COMMENTS

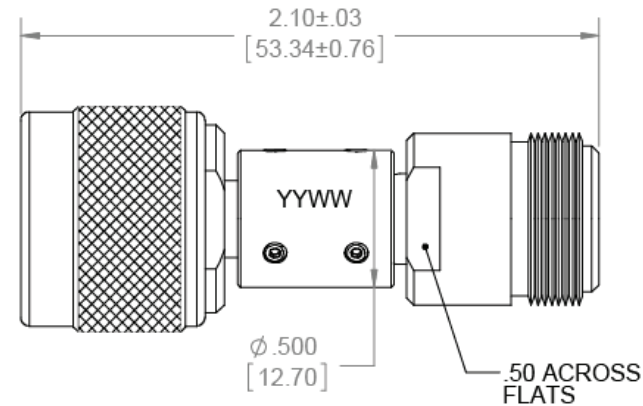
INITIAL

Electrical Data

Impedance 50 Ω
 Frequency 10 MHz to 18 GHz
 Insertion Loss 0.6 dB MAX
 Voltage Rating 200 VOLTS (INNER/OUTER)
 VSWR 1.35 MAX

RoHS Compliant**Mechanical Data**

Temperature Range: -65 °C - 125 °C



Drawing not to scale. Dimensions for reference only

Units: inches (mm)

Konnect RF

WWW.KONNECTRF.COM
 1-800-790-5887

PART NUMBER

KDCB177295

DESCRIPTION

DC Block, N M/F

CAGE CODE

664U0

SIGNATURE

X

THIS DRAWING INCLUDING THE
 DESIGNS IS THE PROPERTY OF
 KONNECT RF AND IS NOT TO
 BE USED FOR ANY PURPOSE
 WITHOUT OUR APPROVAL.

Component

Body
 Center Contact
 Dielectric

Material

Stainless Steel
 BeCu
 High Temp Plastic

Plating/Finish

Passivated
 Gold