

PART NUMBER

**KDCB177287**

REV.

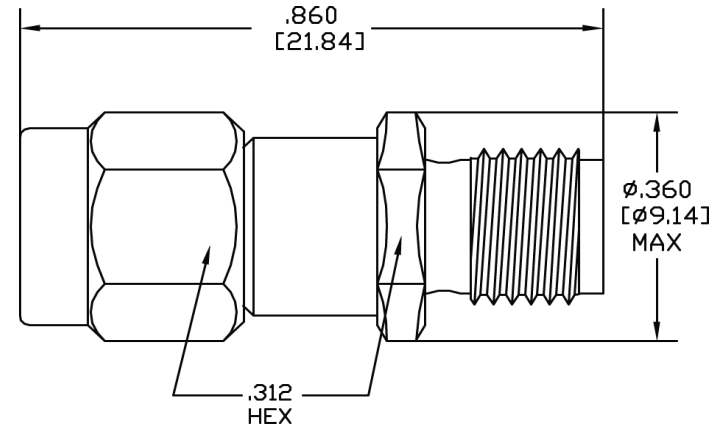
INITIAL

**Electrical Data**

Impedance	50 $\Omega$
Frequency Range	7 KHz - 23 GHz.
Insertion Loss	
100 KHz - 12.4 GHz	+/- 0.50 dB
12.4 GHz - 23 GHz	+/- 0.75 dB
Better Than -3 dB Bandwidth	7 KHz - 23 GHz
Voltage	100 Volts Max (INNER ONLY)
Average Power	2 Watts
VSWR 7 KHz - 23 GHz	$\leq$ 1.35

**Mechanical Data**

Temperature Range: -65 °C - 125 °C

**RoHS Compliant**

Drawing not to scale. Dimensions for reference only

Units: Inches (mm)

**Konnect RF**WWW.KONNECTRF.COM  
1-800-790-5887

PART NUMBER

**KDCB177287**

DESCRIPTION

**Microwave DC Block SMA, 23 GHz Broad Band**

CAGE CODE

**664U0**

SIGNATURE

X

THIS DRAWING INCLUDING THE DESIGNS IS THE PROPERTY OF KONNECT RF AND IS NOT TO BE USED FOR ANY PURPOSE WITHOUT OUR APPROVAL.

**Component**Body, Nut  
Center Contact  
Insulator**Material**Stainless Steel  
BeCu**Plating / Finish**Passivated  
Gold