

PART NUMBER

KDCB177222

REV.

DATE

COMMENTS

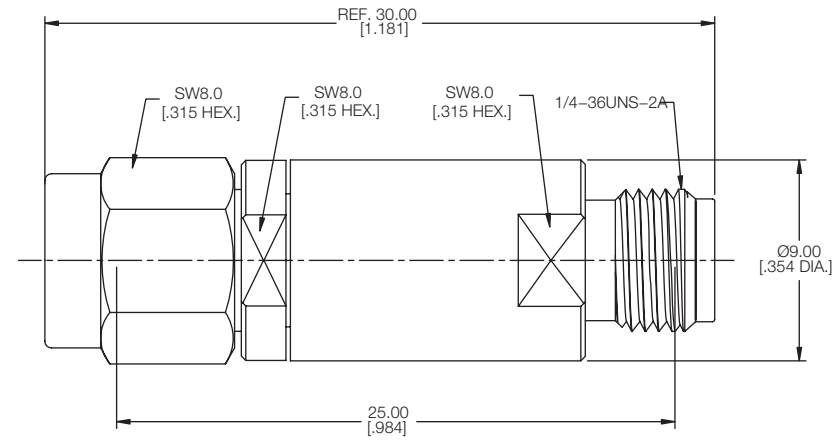
INITIAL

Electrical Data

Impedance 50 Ω
 Frequency Range 30MHz~26.5GHz
 VSWR 1.20 MAX. @ 30MHz~18GHz
 1.25 MAX. @ 18GHz~26.5GHz
 Insertion Loss: 0.80 DB MAX.
 Working Voltage 50 VOLTS

RoHS Compliant**Mechanical Data**

Temperature Range: -55 °C - 125 °C
 2011/65/EU(RoHS) and 2015/863/(RoHS): COMPLIANT
 1907/2006/EC(REACH) and 1999/45/EC(REACH): COMPLIANT



Drawing not to scale. Dimensions for reference only

Units: mm (Inches)

Konnect RF

WWW.KONNECTRF.COM
 1-800-790-5887

PART NUMBER

KDCB177222

DESCRIPTION

DC Block On Inner Conductor, SMA M/F, PSS

CAGE CODE

664U0

SIGNATURE

X

THIS DRAWING INCLUDING THE
 DESIGNS IS THE PROPERTY OF
 KONNECT RF AND IS NOT TO
 BE USED FOR ANY PURPOSE
 WITHOUT OUR APPROVAL.

Component

Body & Coupling Nut
 Center Contact
 Insulator

Material

Stainless Steel
 BeCu
 PEI

Plating/Finish

Passivated
 Gold