

PART NUMBER

KDCB177210

REV.

DATE

COMMENTS

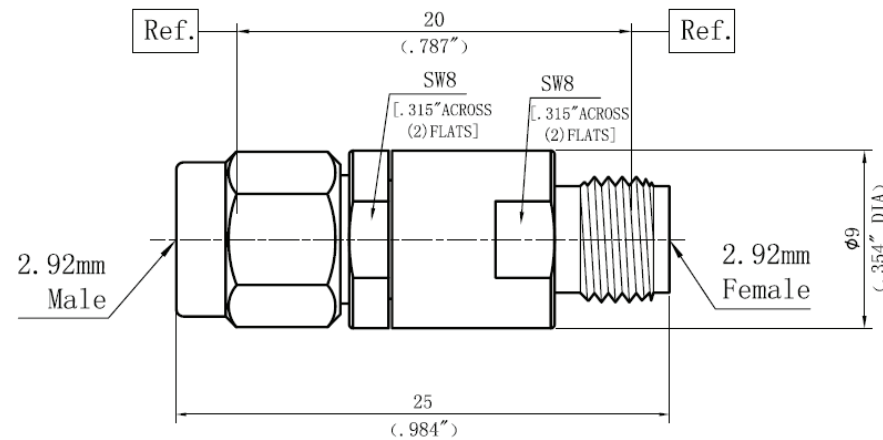
INITIAL

Electrical Data

Impedance 50 Ω
 Frequency Range DC - 40 GHz.
 Insertion Loss 0.8 dB max
 Voltage Rating 50 V DC
 VSWR ≤ 1.30

Mechanical Data

Temperature Range: -55 °C - 85 °C

RoHS Compliant

Drawing not to scale. Dimensions for reference only

Units: mm (inches)

Konnect RF

WWW.KONNECTRF.COM
 1-800-790-5887

PART NUMBER

KDCB177210

DESCRIPTION

DC Block, 2.92mm M/F

CAGE CODE

664U0

SIGNATURE

X

Component
 Body

Material
 Stainless Steel

Plating/Finish
 Passivated

THIS DRAWING INCLUDING THE
 DESIGNS IS THE PROPERTY OF
 KONNECT RF AND IS NOT TO
 BE USED FOR ANY PURPOSE
 WITHOUT OUR APPROVAL.