

PART NUMBER

KDCB177205

REV.

DATE

COMMENTS

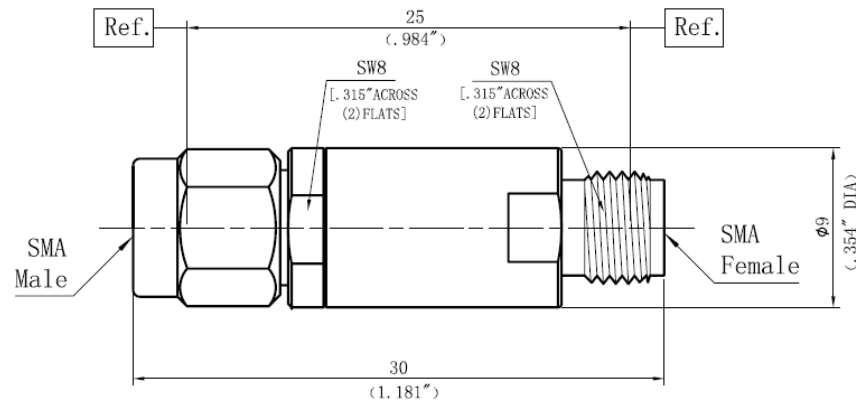
INITIAL

Electrical Data

Impedance 50 Ω
 Frequency Range 0.05-26.5 GHz.
 Insertion Loss 0.8 d Max
 Voltage Rating 50V DC
 VSWR 1.25 Max.

Mechanical Data

Temperature Range: -55 °C - 85 °C

RoHS Compliant

Drawing not to scale. Dimensions for reference only

Units: mm (Inches)

Konnect RF

WWW.KONNECTRF.COM
 1-800-790-5887

PART NUMBER

KDCB177205

DESCRIPTION

DC Block, SMA M/F

CAGE CODE

664U0

SIGNATURE

X

Component
Body

Material
Stainless Steel

Plating
Passivated

THIS DRAWING INCLUDING THE
 DESIGNS IS THE PROPERTY OF
 KONNECT RF AND IS NOT TO
 BE USED FOR ANY PURPOSE
 WITHOUT OUR APPROVAL.