

PART NUMBER

KDCB177192

REV.

DATE

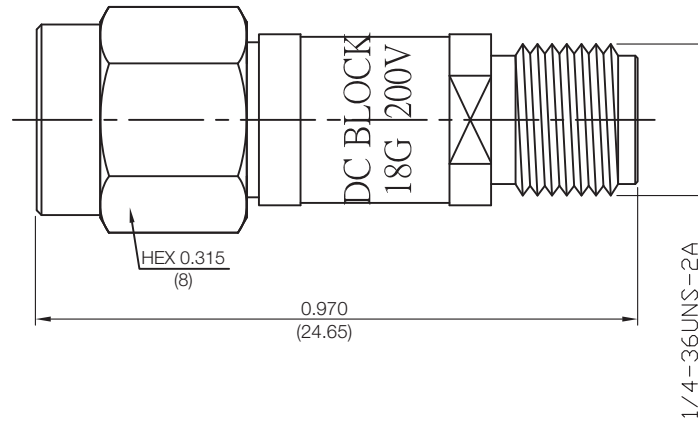
COMMENTS

INITIAL

Electrical Data

Impedance	50 Ω
Frequency Range	10 - 18 GHz
Voltage	200V DC
Attenuation	≤ 0.6 dB
VSWR	≤ 1.35

RoHS Compliant



Drawing not to scale. Dimensions for reference only

Units: inches (mm)

WWW.KONNECTRF.COM
1-800-790-5887

PART NUMBER

KDCB177192

DESCRIPTION

DC Block, SMA M/F, Inner Only

CAGE CODE

664U0

SIGNATURE

X

THIS DRAWING INCLUDING THE DESIGNS IS THE PROPERTY OF KONNECT RF AND IS NOT TO BE USED FOR ANY PURPOSE WITHOUT OUR APPROVAL.

ComponentBody, Coupling Nut
Contact Pin(Jack)**Material**Stainless Steel
BeCu**Plating**Passivated
Gold 4 Over Nuckel-Phos Alloy
80 over 20 Copper
Gold 4 Over Nuckel-Phos Alloy
80 over 20 Copper

Contact Pin(Plug)

Brass

Insulator
GasketTeflon
Silicone