

PART NUMBER

KDCB177190

REV.

DATE

COMMENTS

INITIAL

Electrical Data

Impedance 50 Ω
 Frequency Range 9 KHz - 40 GHz.
 Voltage 50 Volts
 Power Rating 20W max average rated power to
 25°C ambient temperature. 100W
 peak power.
 VSWR 1.70

Mechanical Data

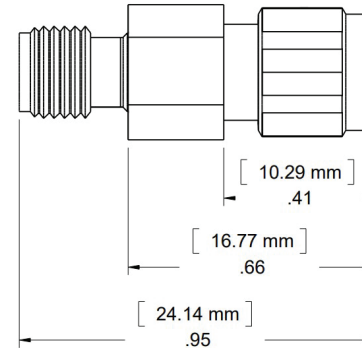
Temperature Range: -65 °C - 105 °C

Frequency	VSWR
9 kHz - 10 kHz	1.45
10 kHz - 20 kHz	1.40
20 kHz - 18.0 GHz	1.40
18.0 GHz - 40.0 GHz	1.70

Maximum Insertion Loss:

Frequency	Insertion Loss (dB)
9 kHz - 30.0 GHz	1.0

RoHS Compliant



Drawing not to scale. Dimensions for reference only

Units: mm (inches)

Konnect RF

WWW.KONNECTRF.COM
 1-800-790-5887

PART NUMBER

KDCB177190

DESCRIPTION

DC Block, Inner combined with high frequency response, 2.92 M/F

CAGE CODE

664U0

SIGNATURE

X

THIS DRAWING INCLUDING THE
 DESIGNS IS THE PROPERTY OF
 KONNECT RF AND IS NOT TO
 BE USED FOR ANY PURPOSE
 WITHOUT OUR APPROVAL.

Component

Body
 Center Contact

Material

Stainless Steel
 BeCu

Plating/Finish

Passivated
 Gold