

PART NUMBER

KDCB177123

REV.

DATE

COMMENTS

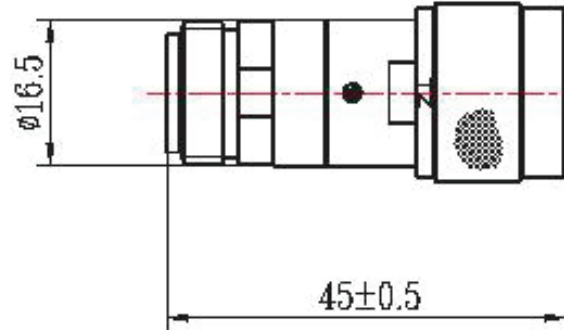
INITIAL

Electrical Data

Impedance 50 Ω
 Frequency Range 0.01 - 6 GHz.
 Insertion Loss 0.20 dB
 VSWR 1.20

Mechanical Data

Temperature Range: -55 °C - 100 °C

RoHS Compliant

Drawing not to scale. Dimensions for reference only

Units: mm

Konnnect RF

WWW.KONNECTRF.COM
 1-800-790-5887

PART NUMBER

KDCB177123

DESCRIPTION

DC Block, N M/F

CAGE CODE

664U0

SIGNATURE

X

THIS DRAWING INCLUDING THE
 DESIGNS IS THE PROPERTY OF
 KONNECT RF AND IS NOT TO
 BE USED FOR ANY PURPOSE
 WITHOUT OUR APPROVAL.