

PART NUMBER

**KDCB177103**

REV.

DATE

COMMENTS

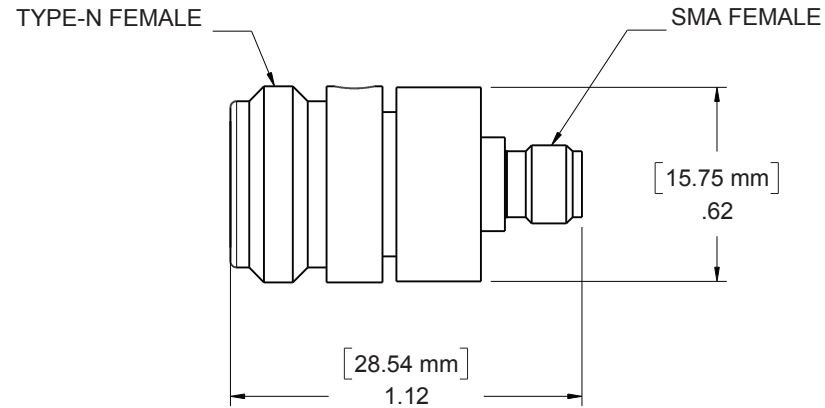
INITIAL

**Electrical Data**

Impedance	50 $\Omega$
Frequency Range	0.01 - 18 GHz.
Insertion Loss	$\leq$ 0.8 dB
Voltage Rating	200 Volts DC Max.
VSWR	$\leq$ 1.20 @ 0.01-1.0 GHz $\leq$ 1.30 @ 1.0-4.0 GHz $\leq$ 1.40 @ 4.0-8.0 GHz $\leq$ 1.50 @ 8.0-16.0 GHz

**RoHS Compliant****Mechanical Data**

Temperature Range: -65 °C - 125 °C



Drawing not to scale. Dimensions for reference only

Units: inches (mm)

**Konnnect RF**WWW.KONNECTRF.COM  
1-800-790-5887

PART NUMBER

**KDCB177103**

DESCRIPTION

**DC Block, N Female/SMA Female**

CAGE CODE

**664U0**

SIGNATURE

X

THIS DRAWING INCLUDING THE  
DESIGNS IS THE PROPERTY OF  
KONNECT RF AND IS NOT TO  
BE USED FOR ANY PURPOSE  
WITHOUT OUR APPROVAL.