

PART NUMBER

KCI177599

REV.

DATE

COMMENTS

INITIAL

Electrical Data

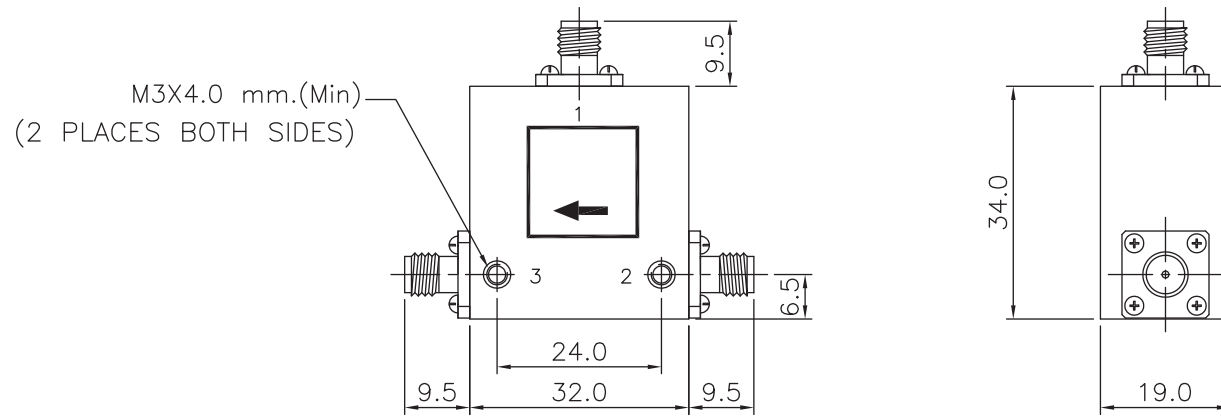
Impedance	50 Ω
Frequency Range	1.700-2.200 GHz.
Isolation	20 dB min
Insertion Loss	0.50 dB
VSWR	1.25 Max

RoHS Compliant**Mechanical Data**

Operating Temperature Range: -10 °C +60 °C

Room Temp :	+25 \pm 5°C
Isolation dB (Min.) :	21
Insertion Loss dB (Max.) :	0.40
VSWR (Max.) :	1.20

Forward Power : 100 W
 Reverse Power : 100 W
 Phase Match \pm 5°



Drawing not to scale. Dimensions for reference only

Units: mm

Konnect RF

WWW.KONNECTRF.COM
 1-800-790-5887

PART NUMBER

KCI177599

DESCRIPTION

Circulator, SMA Female

CAGE CODE

664U0

SIGNATURE

X

Component
Body

Material
Aluminum

Plating
Black Paint

THIS DRAWING INCLUDING THE
 DESIGNS IS THE PROPERTY OF
 KONNECT RF AND IS NOT TO
 BE USED FOR ANY PURPOSE
 WITHOUT OUR APPROVAL.