

PART NUMBER

KCI177247

REV.

DATE

COMMENTS

INITIAL

Electrical Data

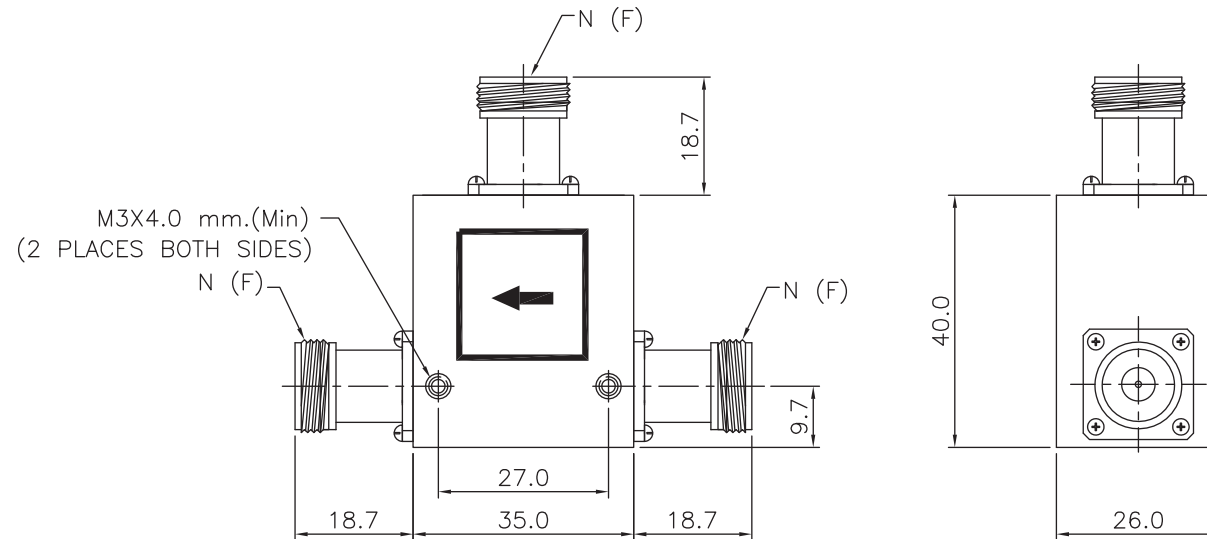
Frequency Range 2.4 - 2.6 GHz.
 Insertion Loss 0.35 dB max
 Isolation 20 dB Min
 VSWR 1.25 Max

RoHS Compliant**Mechanical Data**

Temperature Range: -54 °C - 85 °C

Room Temp :	+25±5°C
Isolation dB (Min.) :	22
Insertion Loss dB (Max.) :	0.30
VSWR (Max.) :	1.18

Forward Power : 200 W
 Reverse Power : 200 W



Drawing not to scale. Dimensions for reference only

Units: mm

Konnect RF

WWW.KONNECTRF.COM
 1-800-790-5887

PART NUMBER

KCI177247

DESCRIPTION

Circulator, N Female

CAGE CODE

664U0

SIGNATURE

X

THIS DRAWING INCLUDING THE
 DESIGNS IS THE PROPERTY OF
 KONNECT RF AND IS NOT TO
 BE USED FOR ANY PURPOSE
 WITHOUT OUR APPROVAL.