

PART NUMBER

KCI177221

REV.

DATE

COMMENTS

INITIAL

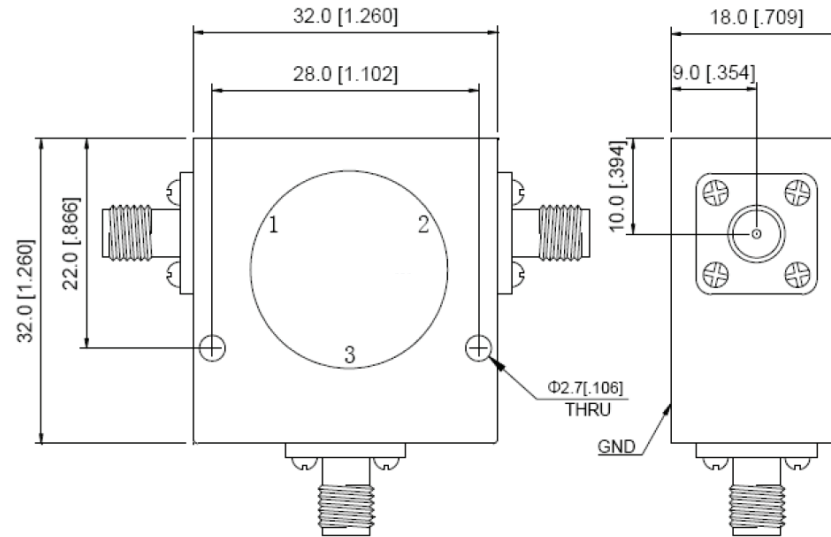
Electrical Data

Impedance 50 Ω
 Frequency Range 1.7 - 2.2 GHz
 VSWR ≤ 1.30
 Isolation 20dB
 Average Power, Max 50W

RoHS Compliant

Environmental Data

Temperature Range -45 °C - 75 °C



Drawing not to scale. Dimensions for reference only

Units: mm (Inches)

Konnnect RF

WWW.KONNECTRF.COM
 1-800-790-5887

PART NUMBER

KCI177221

DESCRIPTION

Circulator, SMA Female Jack 3-Way, 1.7 - 2.2GHz

CAGE CODE

664U0

SIGNATURE

X

THIS DRAWING INCLUDING THE
 DESIGNS IS THE PROPERTY OF
 KONNECT RF AND IS NOT TO
 BE USED FOR ANY PURPOSE
 WITHOUT OUR APPROVAL.