

PART NUMBER

KCI177218

REV.

DATE

COMMENTS

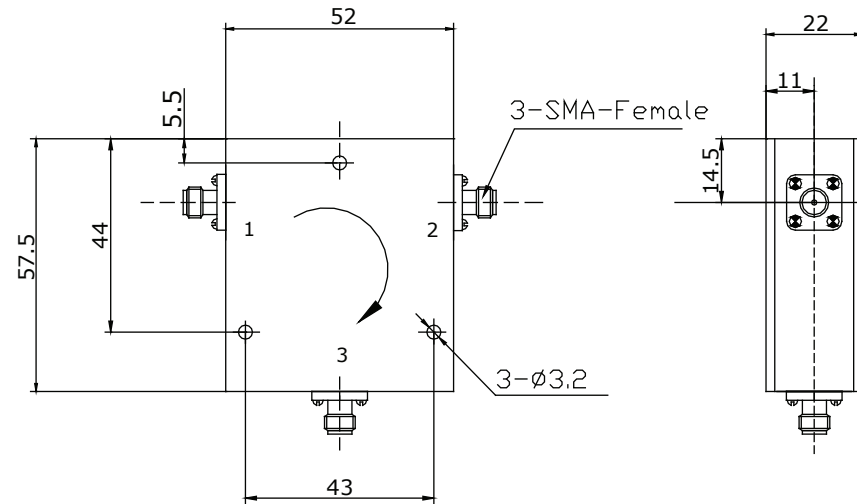
INITIAL

Electrical Data

Impedance	50 Ω
Frequency Range	260-320 GHz.
Insertion Loss	\leq 0.6 dB
Isolation	\geq 20 dB
Power Rating	50W/ Av
VSWR	\leq 1.25
Direction	Clockwise

RoHS Compliant**Mechanical Data**

Temperature Range: -10 °C - 70 °C



Drawing not to scale. Dimensions for reference only

Units: mm +/- 0.1mm

Konnect RF

WWW.KONNECTRF.COM
1-800-790-5887

PART NUMBER

KCI177218

DESCRIPTION

Circulator, SMA Female

CAGE CODE

664U0

SIGNATURE

X

THIS DRAWING INCLUDING THE
DESIGNS IS THE PROPERTY OF
KONNECT RF AND IS NOT TO
BE USED FOR ANY PURPOSE
WITHOUT OUR APPROVAL.