

PART NUMBER

KCI177207

REV.

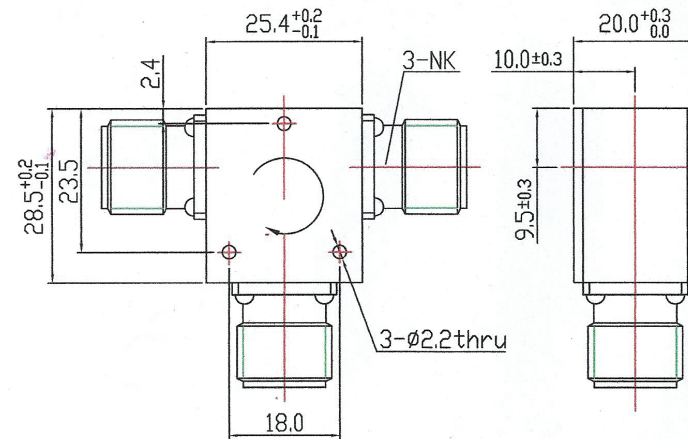
DATE

COMMENTS

INITIAL

Electrical Data

Frequency Range	1.5 - 1.7 GHz.
Insertion Loss	0.3 dB
Isolation	20 dB
Forward Power	200W
VSWR	1.25

RoHS Compliant

Drawing not to scale. Dimensions for reference only

Units: mm

Konnect RF

WWW.KONNECTRF.COM
1-800-790-5887

PART NUMBER

KCI177207

DESCRIPTION

Circulator, N Female

CAGE CODE

664U0

SIGNATURE

X

THIS DRAWING INCLUDING THE
DESIGNS IS THE PROPERTY OF
KONNECT RF AND IS NOT TO
BE USED FOR ANY PURPOSE
WITHOUT OUR APPROVAL.