

PART NUMBER

KCI177101

REV.

DATE

COMMENTS

INITIAL

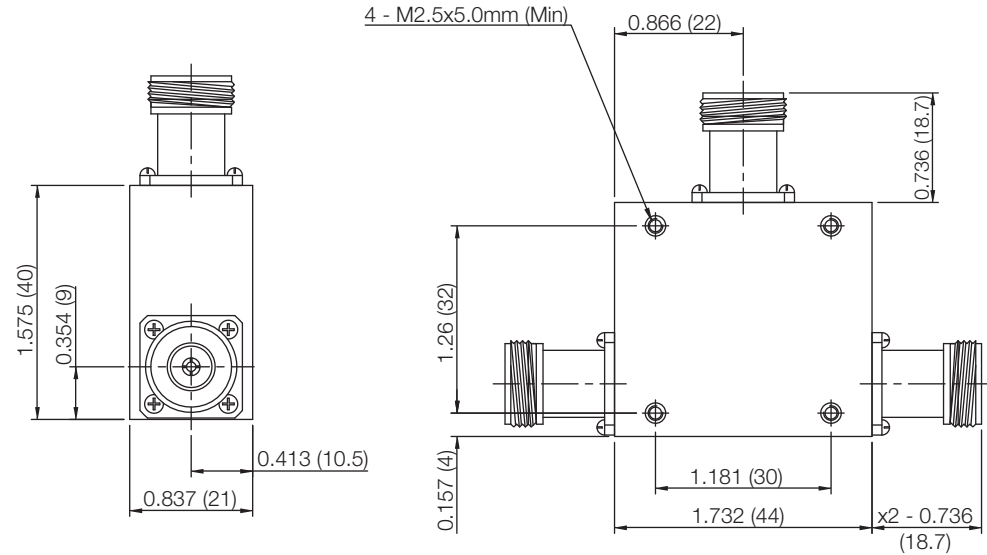
Electrical Data

Impedance	50 Ω
Frequency Range	1.020 - 1.100 GHz.
Insertion Loss	0.30 dB max
Isolation	19 min
Average Power	250 W avg.
Forward	4 kW peak
Reverse	4 kW peak
VSWR	1.25 max

Mechanical Data

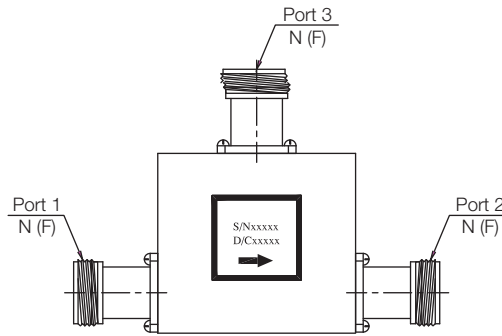
Storage Temperature	-40 °C - 50 °C
Operational Temperature	-10 °C - 50 °C

RoHS Compliant



Spec:

Room Temp :	+25±5°C
Isolation dB (Min.) :	20
Insertion Loss dB (Max.) :	0.20
VSWR (Max.) :	1.20

**Drawing not to scale. Dimensions for reference only****Units: inches (mm)****Konnnect RF**

WWW.KONNECTRF.COM
1-800-790-5887

PART NUMBER

KCI177101

DESCRIPTION

Circulator, N Female

CAGE CODE

664U0

SIGNATURE

X

Component
Body

Material
Aluminium

Plating/Finish
Black Paint

THIS DRAWING INCLUDING THE
DESIGNS IS THE PROPERTY OF
KONNECT RF AND IS NOT TO
BE USED FOR ANY PURPOSE
WITHOUT OUR APPROVAL.