

PART NUMBER

KCC198187

REV.

DATE

COMMENTS

INITIAL

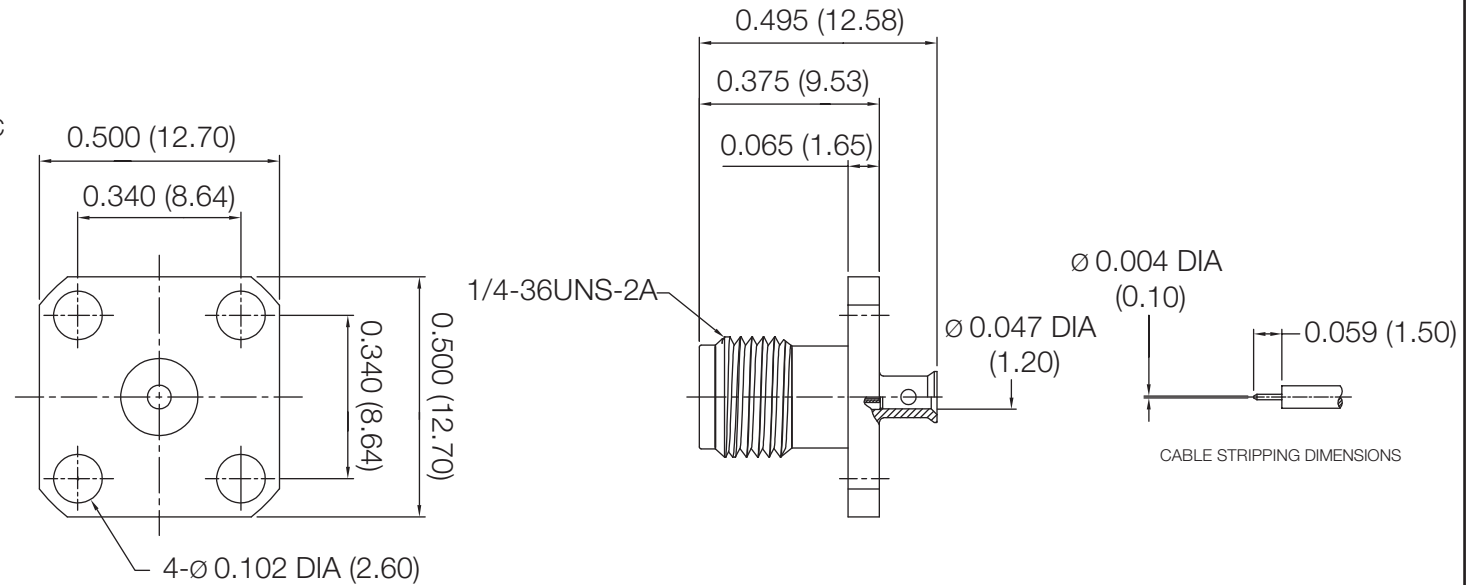
Electrical Data

Impedance 50 Ω
 Frequency Range DC - 18 GHz.
 VSWR 1.25 MAX

Mechanical Data

Temperature Range: -55 °C ~ +125 °C
 1907/2006/EC (REACH) Compliant

RoHS Compliant



Drawing not to scale. Dimensions for reference only

Units: inches (mm)

Konnect RF

WWW.KONNECTRF.COM
 1-800-790-5887

PART NUMBER

KCC198187

DESCRIPTION

SMA Straight Female Jack, 4 Hole Flange Mount, Captive Contact

CAGE CODE

664U0

SIGNATURE

X

Component

Body
 Center Contact
 Solder Ferrule
 Insulator

Material

Stainless Steel
 BeCu
 Brass
 PTFE

Plating

Passivated
 Gold per MIL-G4524
 Gold

THIS DRAWING INCLUDING THE
 DESIGNS IS THE PROPERTY OF
 KONNECT RF AND IS NOT TO
 BE USED FOR ANY PURPOSE
 WITHOUT OUR APPROVAL.