

PART NUMBER

**KCC198176**

REV.

DATE

COMMENTS

INITIAL

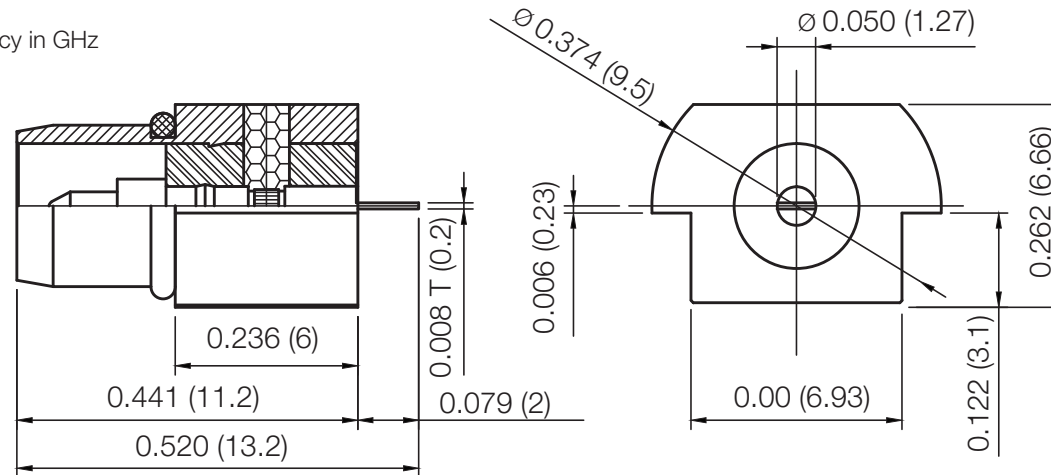
RoHS Compliant

**Electrical Data**

Impedance 50  $\Omega$   
 Frequency Range DC ~ 18 GHz.  
 Insulation Resistance 5000 M $\Omega$   
 Dielectric Withstanding Voltage 750 VRMS  
 VSWR 1.05 + 0.01F Operating Frequency in GHz

**Mechanical Data**

Temperature Range: -55 °C ~ 125 °C



Drawing not to scale. Dimensions for reference only

Units: inches (mm)

**Konnect RF**

WWW.KONNECTRF.COM  
 1-800-790-5887

PART NUMBER

**KCC198176**

DESCRIPTION

**BMA Straight Male Jack PC Board Receptacle,  
Epoxy Captivated, Mushroom type**

CAGE CODE

**664U0**

SIGNATURE

X

**Component**

Body  
 Center Contact  
 Insulator  
 O-Ring

**Material**

Stainless Steel  
 Brass  
 PTFE  
 Silicone Rubber

**Plating**

Gold  
 Gold

THIS DRAWING INCLUDING THE  
 DESIGNS IS THE PROPERTY OF  
 KONNECT RF AND IS NOT TO  
 BE USED FOR ANY PURPOSE  
 WITHOUT OUR APPROVAL.