

PART NUMBER

**KCC198170**

REV.

DATE

COMMENTS

INITIAL

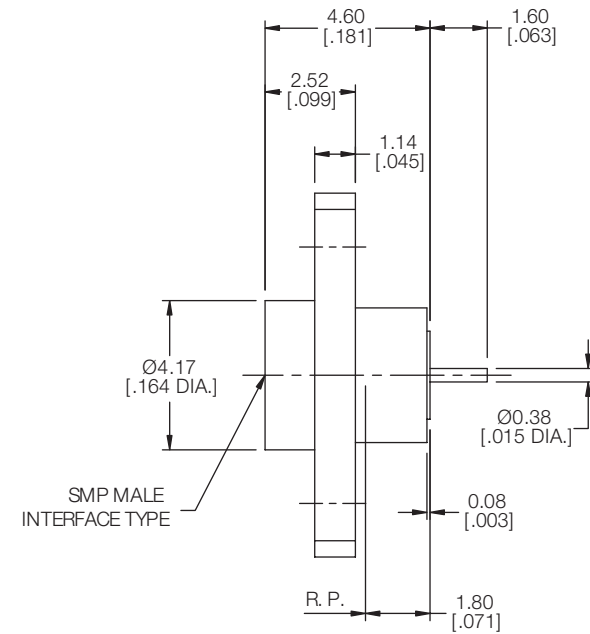
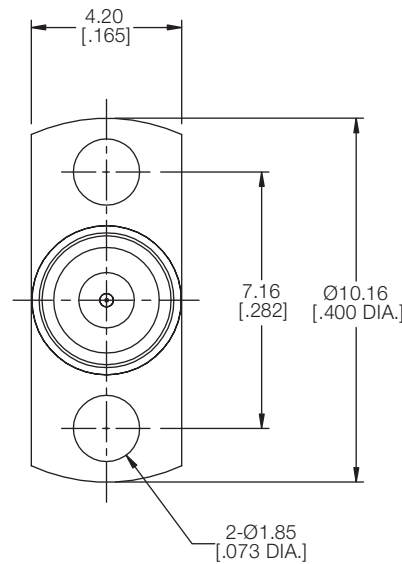
**Electrical Data**

Impedance 50  $\Omega$   
 Frequency Range DC - 18 GHz.

**Mechanical Data**

Temperature Range: -55 °C - 125 °C

RoHS Compliant



Drawing not to scale. Dimensions for reference only

Units: mm (inches)

**Konnnect RF**

WWW.KONNECTRF.COM  
 1-800-790-5887

PART NUMBER

**KCC198170**

DESCRIPTION

**SMP Straight Male Plug Receptacle, 2 Hole Flange Mount,  
 Full Detent, .063" Inch Pin, Terminal Solder Attachment**

CAGE CODE

**664U0**

SIGNATURE

X

**Component**  
 Body  
 Center Contact  
 Insulator

**Material**  
 BeCu  
 BeCu  
 PTFE

**Plating**  
 Gold  
 Gold

THIS DRAWING INCLUDING THE  
 DESIGNS IS THE PROPERTY OF  
 KONNECT RF AND IS NOT TO  
 BE USED FOR ANY PURPOSE  
 WITHOUT OUR APPROVAL.